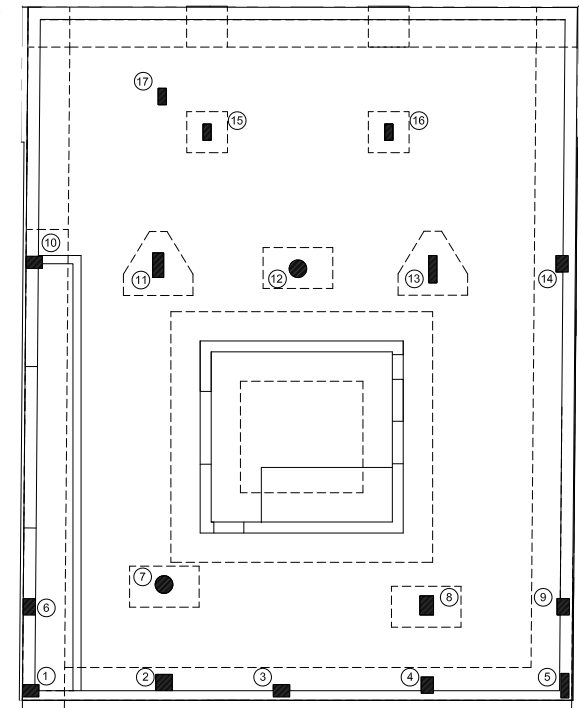
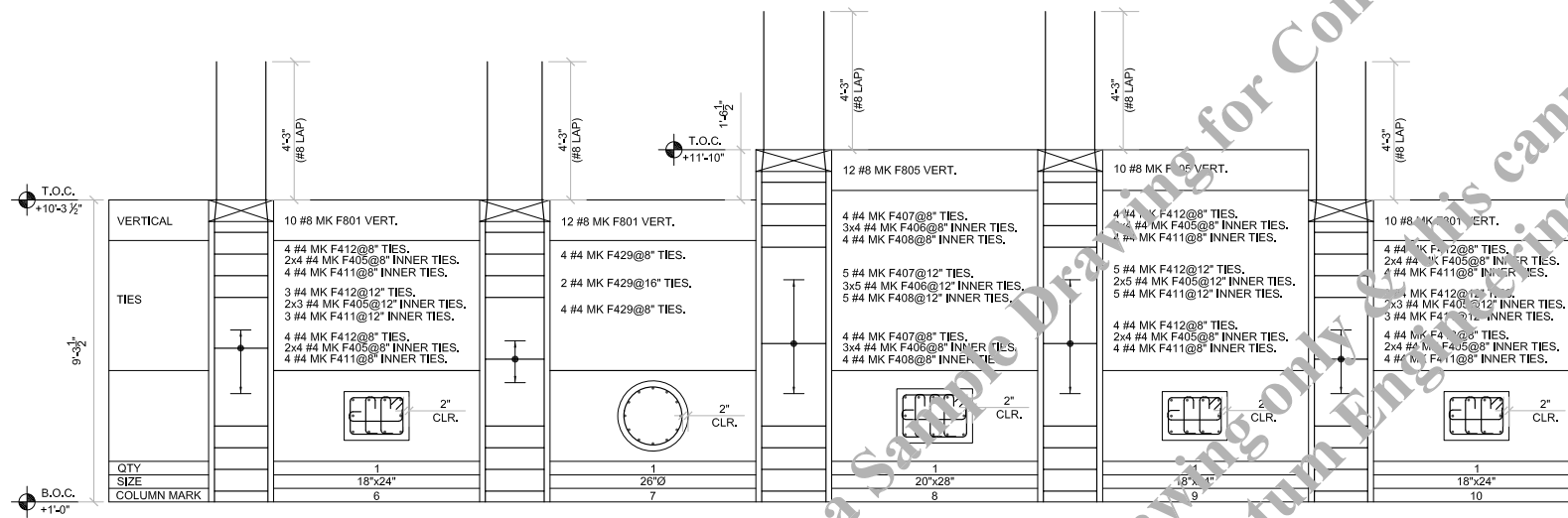
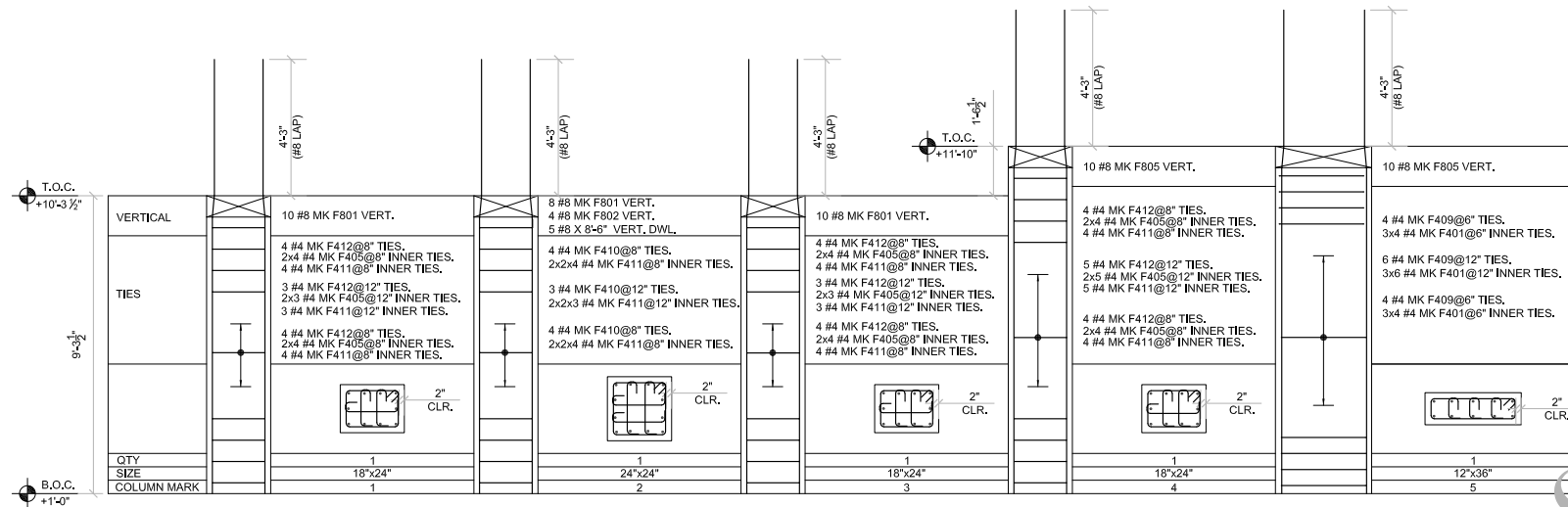
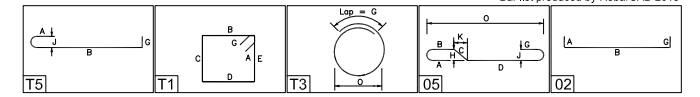


Drawing Sheet : R-11

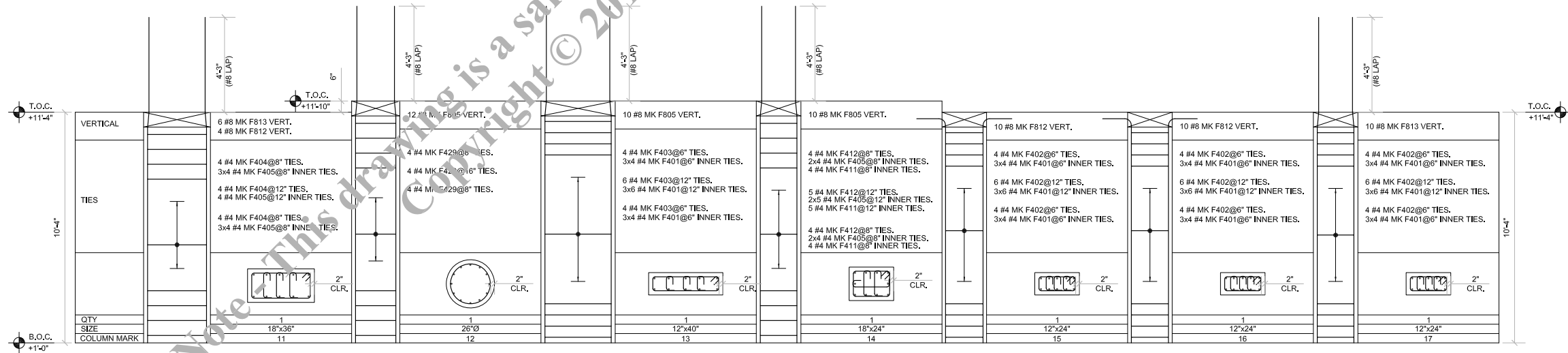
BENDING DETAILS

Bar Mark	Qty	Size	Total Length	Type	'A'	'B'	'C'	'D'	'E'	'F'	'G'	'H'	'J'	'K'	'O'	'R'
F401	210	#4	1'-6 1/2"	T5	0'-6"	0'-8"						0'-4 1/2"	0'-4"			
F402	42	#4	5'-5"	T1	0'-4 1/2"	1'-8"	0'-8"	1'-8"	0'-8"		0'-4 1/2"	0'-3"	0'-4"			
F403	14	#4	8'-1"	T1	0'-4 1/2"	3'-0"	0'-8"	3'-0"	0'-8"		0'-4 1/2"	0'-3"				
F404	12	#4	8'-5"	T1	0'-4 1/2"	2'-8"	1'-2"	2'-8"	1'-2"		0'-4 1/2"	0'-3"				
F405	194	#4	2'-0 1/2"	T5	0'-6"	1'-2"							0'-4"			
F406	39	#4	2'-2 1/2"	T5	0'-6"	1'-4"							0'-4 1/2"		0'-4"	
F407	13	#4	7'-5"	T1	0'-4 1/2"	2'-0"	1'-4"		1'-4"				0'-4 1/2"		0'-3"	
F408	13	#4	2'-10 1/2"	T5	0'-6"	2'-0"							0'-4 1/2"		0'-4"	
F409	14	#4	7'-5"	T1	0'-4 1/2"	2'-8"	0'-6"	2'-8"	0'-8"		0'-4 1/2"	0'-3"				
F410	11	#4	7'-5"	T1	0'-4 1/2"	1'-8"	1'-8"	1'-8"	1'-8"		0'-4 1/2"	0'-3"				
F411	127	#4	2'-6 1/2"	T5	0'-6"	1'-8"							0'-4 1/2"		0'-4"	
F412	83	#4	6'-5"	T1	0'-4 1/2"	1'-8"							0'-4 1/2"		0'-3"	
F429	22	#4	7'-2"	T3			5'-9"	1'-2"	1'-8"		1'-5"					1'-10"
F801	60	#8	13'-6 1/2"	5		4'-3"	0'-8"	8'-7 1/2"				0'-1 1/2"		0'-8"	13'-6 1/2"	
F802	4	#8	10'-4 1/2"	2	1'-4"	1'-0 1/2"										
F805	74	#8	15'-1"	5		4'-3"	0'-8"	10'-2"				0'-1 1/2"		0'-8"	15'-1"	
F812	24	#8	11'-5"	2	1'-4"											
F813	16	#8	14'-7"	5		4'-3"	0'-8"	9'-8"				0'-1 1/2"		0'-8"	14'-7"	

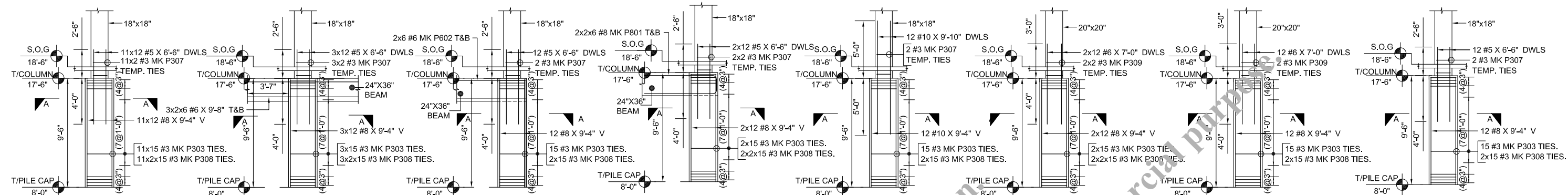
Bar list produced by RebarCAD 2018



KEY PLAN
SCALE: 3/32" = 1'-0"



This is a sample drawing for Concrete Column Rebar. This drawing is a sample drawing only and cannot be used for commercial purposes. All rights reserved. Copyright © 2018 Quantum Engineering



COLUMN-C1 SCALE: 1/4" = 1'-0"
 REF: S1.0/S4.1(16.12.2016)
 H-7,H-8,J-7,J-9,J-8-7,J-12,J-14,J-16,
 K-8,K-16,D-2 / (30"x30")
 REQ' D - 11

COLUMN-C1.1 SCALE: 1/4" = 1'-0"
 REF: S1.0/S4.1(16.12.2016)
 F-1,E-1,A-4 / (30"x30")
 REQ' D - 3

COLUMN-C1.2 SCALE: 1/4" = 1'-0"
 REF: S1.0/S4.1(16.12.2016)
 A-1-1 / (30"x30")

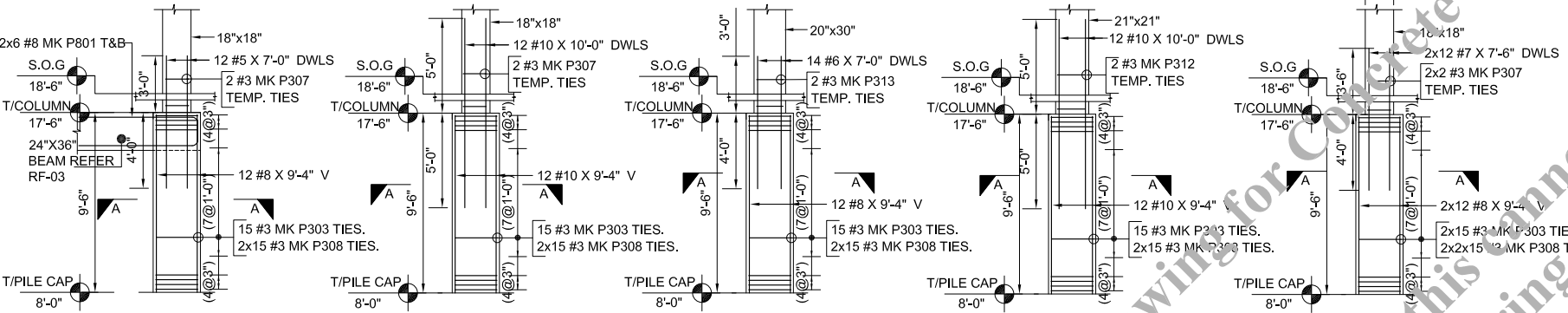
COLUMN-C1.3 SCALE: 1/4" = 1'-0"
 REF: S1.0/S4.1(16.12.2016)
 K-18,J-18 / (30"x30")
 REQ' D - 02

COLUMN-C2 SCALE: 1/4" = 1'-0"
 REF: S1.0/S4.1(16.12.2016)
 K-11 / (30"x30")

COLUMN-C4 SCALE: 1/4" = 1'-0"
 REF: S1.0/S4.1(16.12.2016)
 P20,P-22 / (30"x30")
 REQ' D - 02

COLUMN-C5 SCALE: 1/4" = 1'-0"
 REF: S1.0/S4.1(16.12.2016)
 Q-22 / (30"x30")

COLUMN-C6 SCALE: 1/4" = 1'-0"
 REF: S1.0/S4.1(16.12.2016)
 H-16 / (30"x30")



COLUMN-C6.1 SCALE: 1/4" = 1'-0"
 REF: S1.0/S4.1(16.12.2016)
 H-18 / (30"x30")

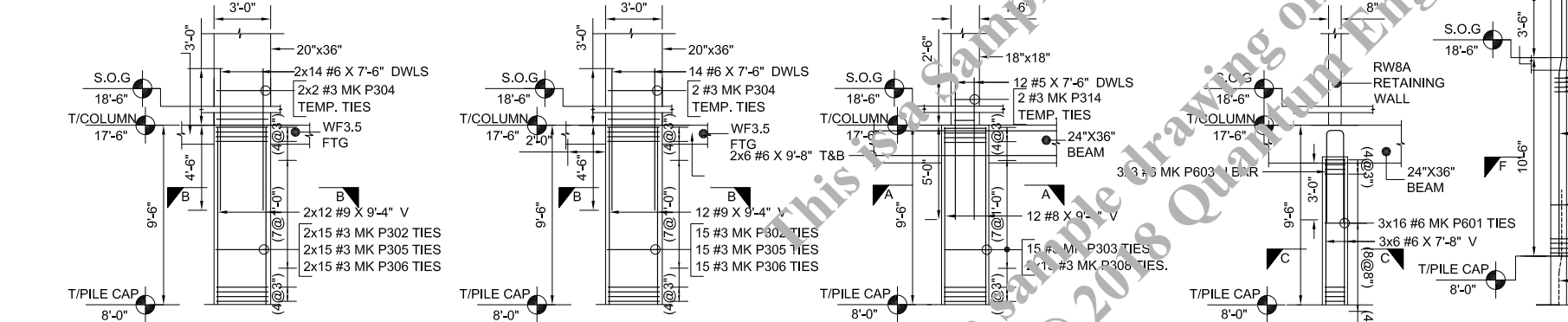
COLUMN-C7 SCALE: 1/4" = 1'-0"
 REF: S1.0/S4.1(16.12.2016)
 H-11 / (30"x30")

COLUMN-C9 SCALE: 1/4" = 1'-0"
 REF: S1.0/S4.1(16.12.2016)
 M-19 / (30"x30")

COLUMN-C10 SCALE: 1/4" = 1'-0"
 REF: S1.0/S4.1(16.12.2016)
 L-2 / (30"x30")

COLUMN-C11 SCALE: 1/4" = 1'-0"
 REF: S1.0/S4.1(16.12.2016)
 L-1,K-14 / (30"x30")
 REQ' D - 02

Drawing Sheet: RC-01		BENDING DETAILS															
Bar Mark	Qty	Size	Length	Type	'A'	'B'	'C'	'D'	'E'	'F'	'G'	'H'	'J'	'K'	'O'	'R'	
P301	15	#3	8'-2 1/2"	T1	17	0'-9"	6'-8 1/2"	0'-9"									
P302	45	#3	7'-10"	T1	0'-4"	0'-10"	2'-9"	0'-10"	2'-9"								
P303	435	#3	9'-8"	T1	0'-4"	2'-3"	2'-3"	2'-3"	2'-3"	0'-4"	0'-2 1/2"						
P304	6	#3	9'-0"	T1	0'-4"	1'-5"	2'-9"	1'-5"	2'-9"	0'-4"	0'-2 1/2"						
P305	4	#3	10'-8"	T1	0'-4"	2'-9"	2'-3"	2'-9"	2'-3"	0'-4"	0'-2 1/2"						
P306	45	#3	7'-2"	T1	0'-4"	1'-0"	2'-3"	1'-0"	2'-3"	0'-4"	0'-2 1/2"						
P307	45	#3	5'-8"	T1	0'-4"	1'-3"	1'-3"	1'-3"	1'-3"	0'-4"	0'-2 1/2"						
P308	870	#3	6'-10"	T1	0'-4"	0'-10"	2'-3"	0'-10"	2'-3"	0'-4"	0'-2 1/2"						
P309	6	#3	6'-4"	T1	0'-4"	1'-5"	1'-5"	1'-5"	1'-5"	0'-4"	0'-2 1/2"						
P310	15	#3	7'-5 1/2"	T1	0'-4"	0'-9"	5'-11 1/2"	0'-9"									
P311	90	#3	2'-4"	T12	0'-4"	1'-8"				0'-4"							
P312	2	#3	6'-8"	T1	0'-4"	1'-6"	1'-6"	1'-6"	1'-6"	0'-4"	0'-2 1/2"						
P313	2	#3	8'-0"	T1	0'-4"	1'-5"	2'-3"	1'-5"	2'-3"	0'-4"	0'-2 1/2"						
P314	2	#3	5'-0"	T1	0'-4"	1'-1"	1'-1"	1'-1"	1'-1"	0'-4"	0'-2 1/2"						
P601	48	#6	4'-0 1/2"	T3			3'-4 1/2"								1'-1"		
P602	12	#6	12'-0"	T3			6'-0"	6'-0"									
P603	9	#6	10'-8 1/2"	T3			4'-10 1/2"	0'-11 1/2"	4'-10 1/2"								
P701	20	#7	14'-0 1/2"	T3			3'-6"	0'-10 1/2"	9'-7 1/2"					0'-2 1/2"		0'-10 1/2"	14'-0"
P801	36	#8	7'-8"	T2		1'-4"	6'-4"										



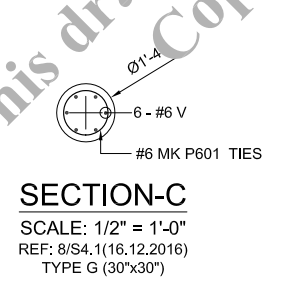
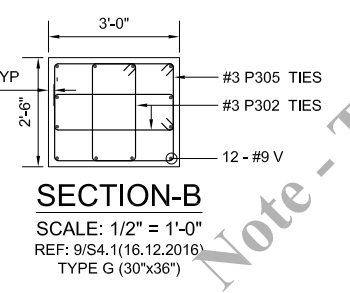
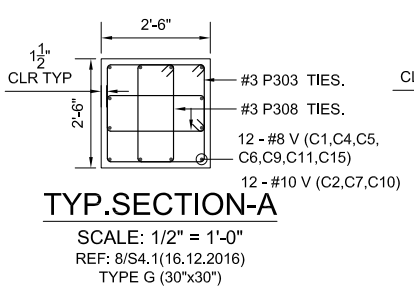
COLUMN-C14 SCALE: 1/4" = 1'-0"
 REF: S1.0/S4.1(16.12.2016)
 R-24,T-24 / (30"x36")
 REQ' D - 02

COLUMN-C14.1 SCALE: 1/4" = 1'-0"
 REF: S1.0/S4.1(16.12.2016)
 N-24 / (30"x36")

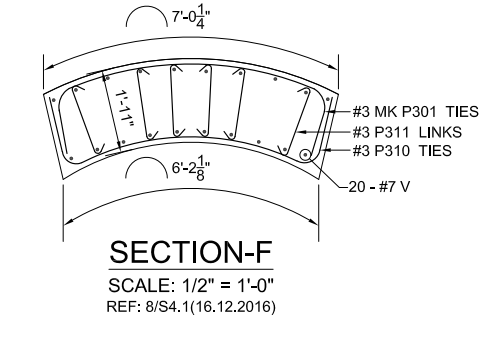
COLUMN-C15 SCALE: 1/4" = 1'-0"
 REF: S1.0/S4.1(16.12.2016)
 A-3 / (30"x30")

COLUMN-C16 SCALE: 1/4" = 1'-0"
 REF: S1.0/S4.1(16.12.2016)
 K-18.5,J-18.5,H-18.5 / (16" DIA)
 REQ' D - 03

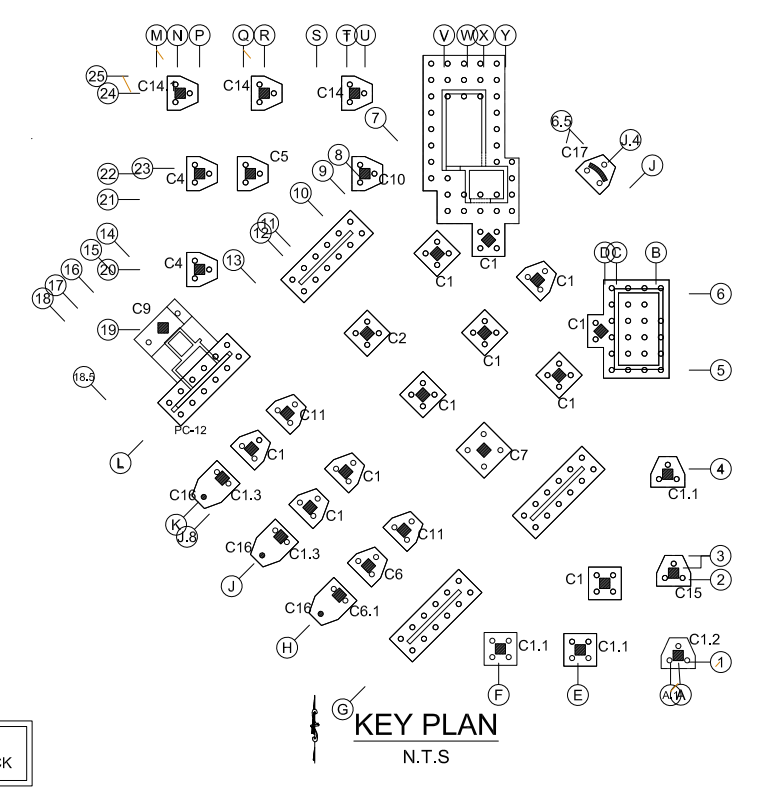
COLUMN-C17 SCALE: 1/4" = 1'-0"
 REF: S1.0/S4.1(16.12.2016)
 J-4 - 6.5 / (12" WIDE)

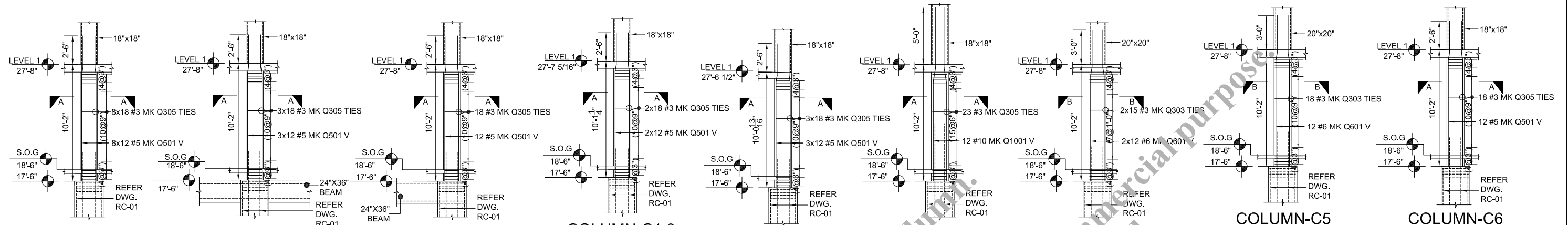


LAP TABLE	
SIZE	LAP LENGTH
#3	1'-6"
#4	2'-0"
#5	2'-6"
#6	3'-0"
#7	3'-6"
#8	4'-0"
#9	4'-6"
#10	5'-0"
#11	5'-6"



NOTE
 ALL REBAR SHALL BE BLACK





COLUMN-C1
SCALE: 1/4" = 1'-0"
REF: S4.1 (16.12.2016)
H-8, J-9, J-12, J-14, J-16,
K-8, K-16, D-2 / (18"x18")
REQ' D - 8

COLUMN-C1.1
SCALE: 1/4" = 1'-0"
REF: S4.1 (16.12.2016)
F-1, E-1, A-4 / (18"x18")
REQ' D - 3

COLUMN-C1.2
SCALE: 1/4" = 1'-0"
REF: S4.1 (16.12.2016)
A-1-1 / (18"x18")

COLUMN-C1.3
SCALE: 1/4" = 1'-0"
REF: S4.1 (16.12.2016)
K-18, J-18 / (18"x18")
REQ' D - 2

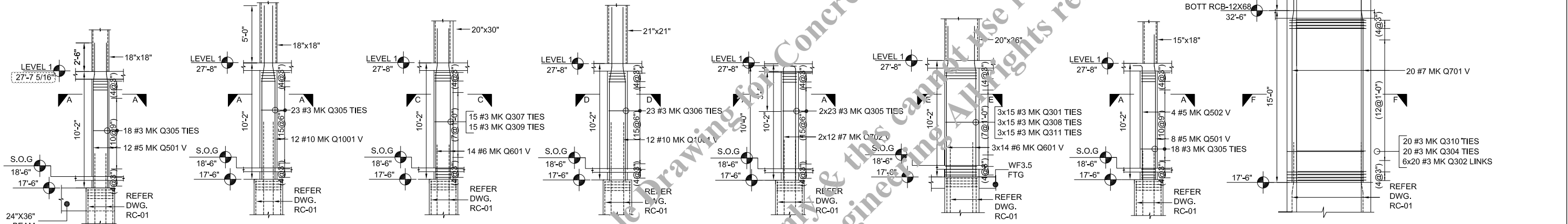
COLUMN-C1.4
SCALE: 1/4" = 1'-0"
REF: S4.1 (16.12.2016)
J-8, J-7, J-7, H-7 / (18"x18")
REQ' D - 3

COLUMN-C2
SCALE: 1/4" = 1'-0"
REF: S4.1 (16.12.2016)
K-11 / (18"x18")

COLUMN-C4
SCALE: 1/4" = 1'-0"
REF: S4.1 (16.12.2016)
P-20, P-22 / (20"x20")
REQ' D - 02

COLUMN-C5
SCALE: 1/4" = 1'-0"
REF: S4.1 (16.12.2016)
Q-22 / (20"x20")

COLUMN-C6
SCALE: 1/4" = 1'-0"
REF: S4.1 (16.12.2016)
H-16 / (18"x18")



COLUMN-C6.1
SCALE: 1/4" = 1'-0"
REF: S4.1 (16.12.2016)
H-18 / (18"x18")

COLUMN-C7
SCALE: 1/4" = 1'-0"
REF: S4.1 (16.12.2016)
H-11 / (18"x18")

COLUMN-C9
SCALE: 1/4" = 1'-0"
REF: S4.1 (16.12.2016)
M-19 / (20"x30")

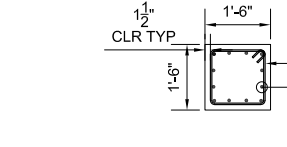
COLUMN-C10
SCALE: 1/4" = 1'-0"
REF: S4.1 (16.12.2016)
U-22 / (21"x21")

COLUMN-C11
SCALE: 1/4" = 1'-0"
REF: S4.1 (16.12.2016)
H-14, K-14 / (18"x18")
REQ' D - 02

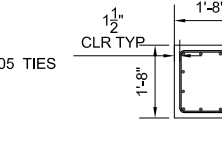
COLUMN-C14
SCALE: 1/4" = 1'-0"
REF: S4.1 (16.12.2016)
N-24, R-24, T-24 / (20"x36")
REQ' D - 03

COLUMN-C15
SCALE: 1/4" = 1'-0"
REF: S4.1 (16.12.2016)
A-3 / (18"x18")

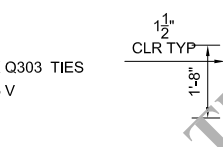
COLUMN-C17
SCALE: 1/4" = 1'-0"
REF: S4.1 (16.12.2016)
J-5, 6-5 / (12" WIDE)



SECTION-A
SCALE: 1/2" = 1'-0"
REF: 2/S4.1(16.12.2016)
TYPE A (18"x18")



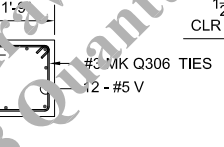
SECTION-B
SCALE: 1/2" = 1'-0"
REF: 3/S4.1(16.12.2016)
TYPE B (20"x20")



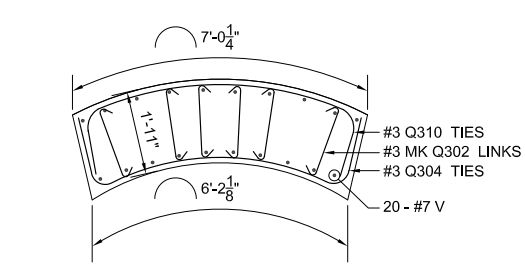
SECTION-C
SCALE: 1/2" = 1'-0"
REF: 6/S4.1(16.12.2016)
TYPE E (20"x30")



SECTION-D
SCALE: 1/2" = 1'-0"
REF: 4/S4.1(16.12.2016)
TYPE C (21"x21")



SECTION-E
SCALE: 1/2" = 1'-0"
REF: 7/S4.1(16.12.2016)
TYPE F (20"x36")



SECTION-F
SCALE: 1/2" = 1'-0"
REF: 8/S4.1(16.12.2016)

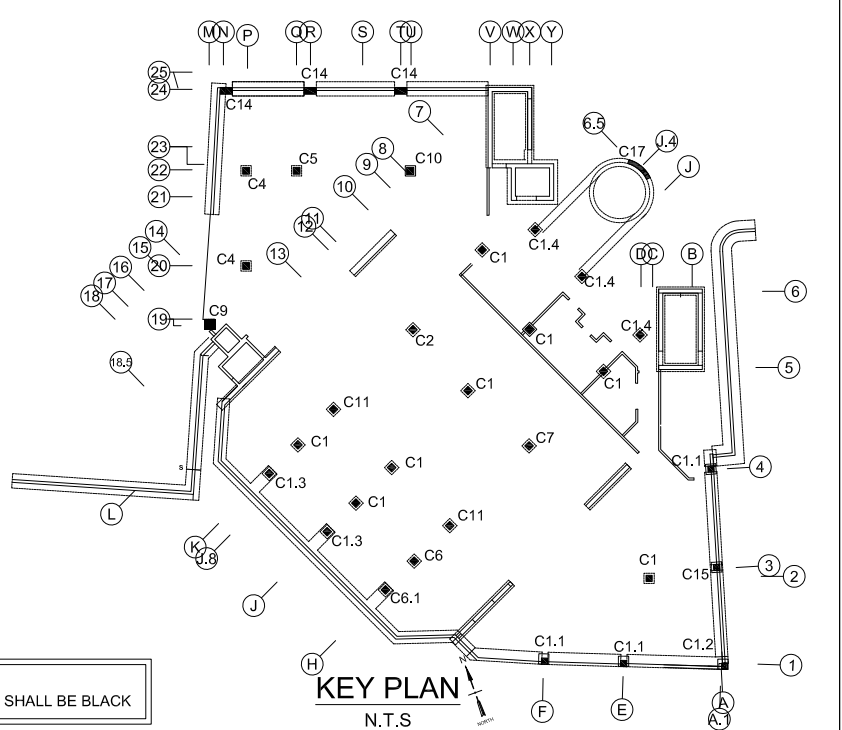
Drawing Sheet : RC-02

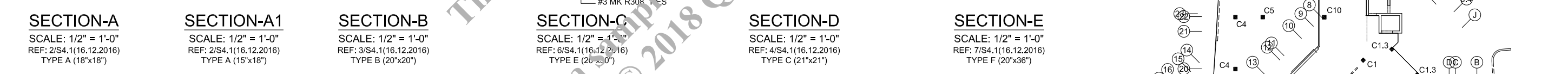
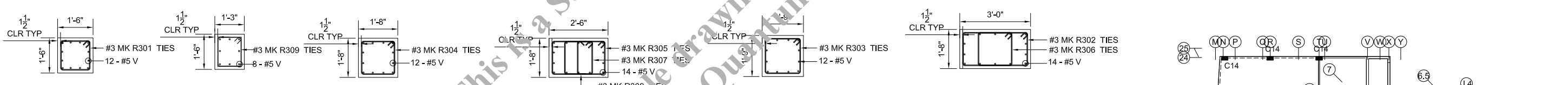
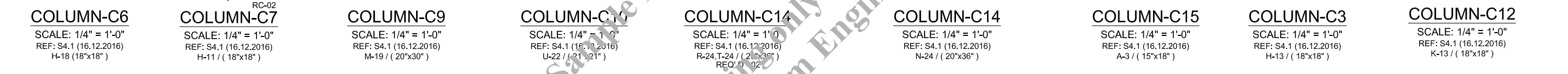
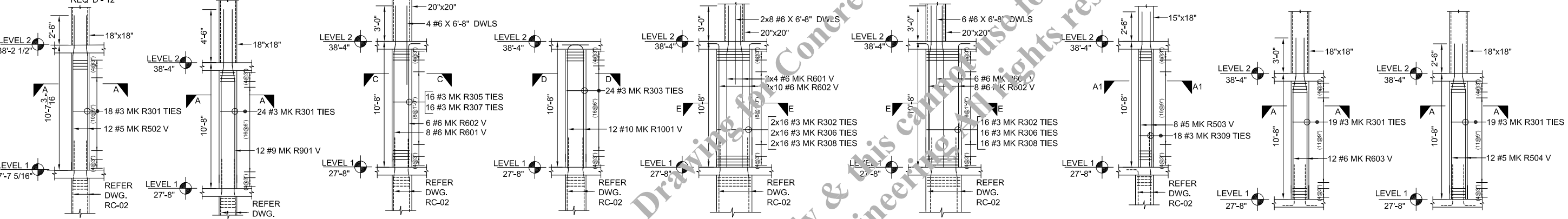
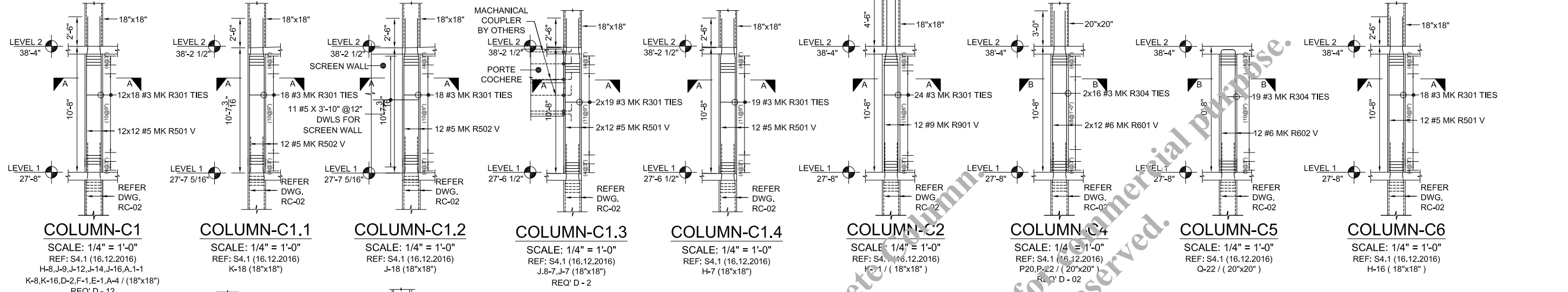
Bar Mark	Qty	Size	Total Length	Type	BENDING DETAILS												
					'A'	'B'	'C'	'D'	'E'	'F'	'G'	'H'	'J'	'K'	'O'	'R'	
Q301	45	#3	9'-0"	T1	0'-4"	1'-5"	2'-3"	1'-5"	2'-9"		0'-4"	0'-2 1/2"					
Q302	120	#3	2'-4"	T12	0'-4"	1'-8"					0'-4"						
Q303	48	#3	6'-4"	T1	0'-4"	1'-5"	1'-5"	1'-5"	1'-5"		0'-4"	0'-2 1/2"					
Q304	20	#3	7'-5 1/2"	T1	0'-4"	0'-9"	5'-11 1/2"	0'-9"									
Q305	452	#3	5'-8"	T1	0'-4"	1'-3"	1'-3"	1'-3"	1'-3"		0'-4"	0'-2 1/2"					
Q306	23	#3	6'-8"	T1	0'-4"	1'-6"	1'-6"	1'-6"	1'-6"		0'-4"	0'-2 1/2"					
Q307	15	#3	8'-0"	T1	0'-4"	1'-5"	2'-3"	1'-5"	2'-3"		0'-4"	0'-2 1/2"					
Q308	45	#3	6'-4 1/2"	T1	0'-4"	1'-5 1/2"	1'-5"	1'-5 1/2"	1'-5"		0'-4"	0'-2 1/2"					
Q309	15	#3	5'-10"	T1	0'-4"	1'-2 1/2"	1'-5"	1'-2 1/2"	1'-5"		0'-4"	0'-2 1/2"					
Q310	20	#3	1'-2 1/2"	T1	0'-4"	0'-9"	6'-8 1/2"	0'-9"									
Q311	45	#3	2'-1"	T9	0'-4"	1'-5"					0'-4"						
Q501	236	#5	12'-8 1/2"	3		2'-9"	0'-7 1/2"	9'-3 1/2"				0'-1 1/2"		0'-7 1/2"	12'-8"		
Q502	4	#5	10'-10"	2		0'-10"	10'-0"										
Q601	92	#3	13'-2 1/2"	3		3'-3"	0'-9 1/2"	9'-2"				0'-2 1/2"		0'-9"	13'-2"		
Q701	20	#7	18'-5 1/2"	3		3'-6"	0'-10 1/2"	14'-1"				0'-2 1/2"		0'-10 1/2"	18'-5 1/2"		
Q702	24	#7	11'-2"	2		1'-2"	10'-0"										
Q1001	36	#10	15'-2 1/4"	3		5'-3"	1'-3 1/4"	8'-8"				0'-3 1/4"		1'-3"	15'-2"		

LAP TABLE

SIZE	LAP LENGTH
#3	1'-6"
#4	2'-0"
#5	2'-6"
#6	3'-0"
#7	3'-6"
#8	4'-0"
#9	4'-6"
#10	5'-0"
#11	5'-6"

NOTE
ALL REBAR SHALL BE BLACK



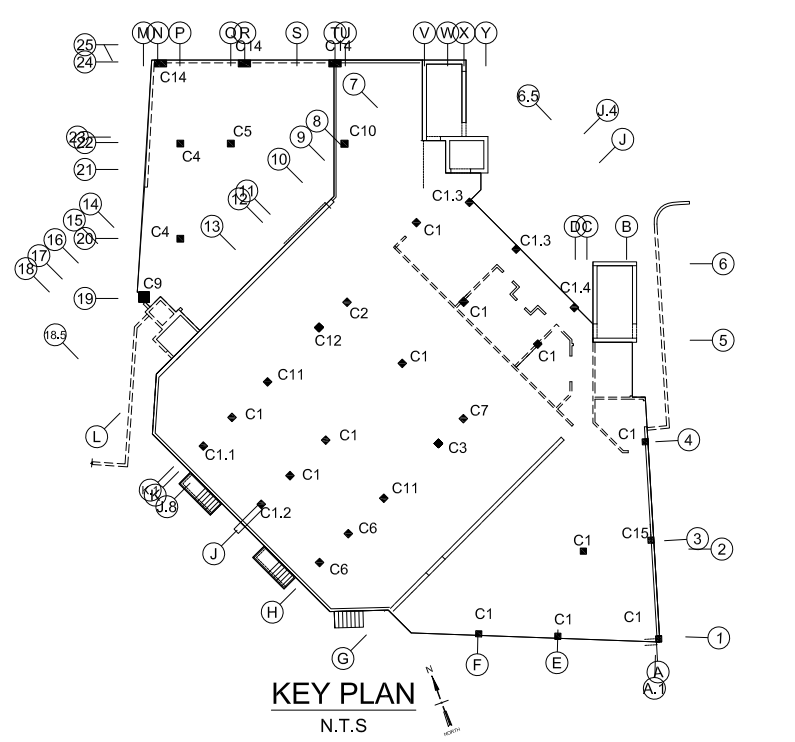


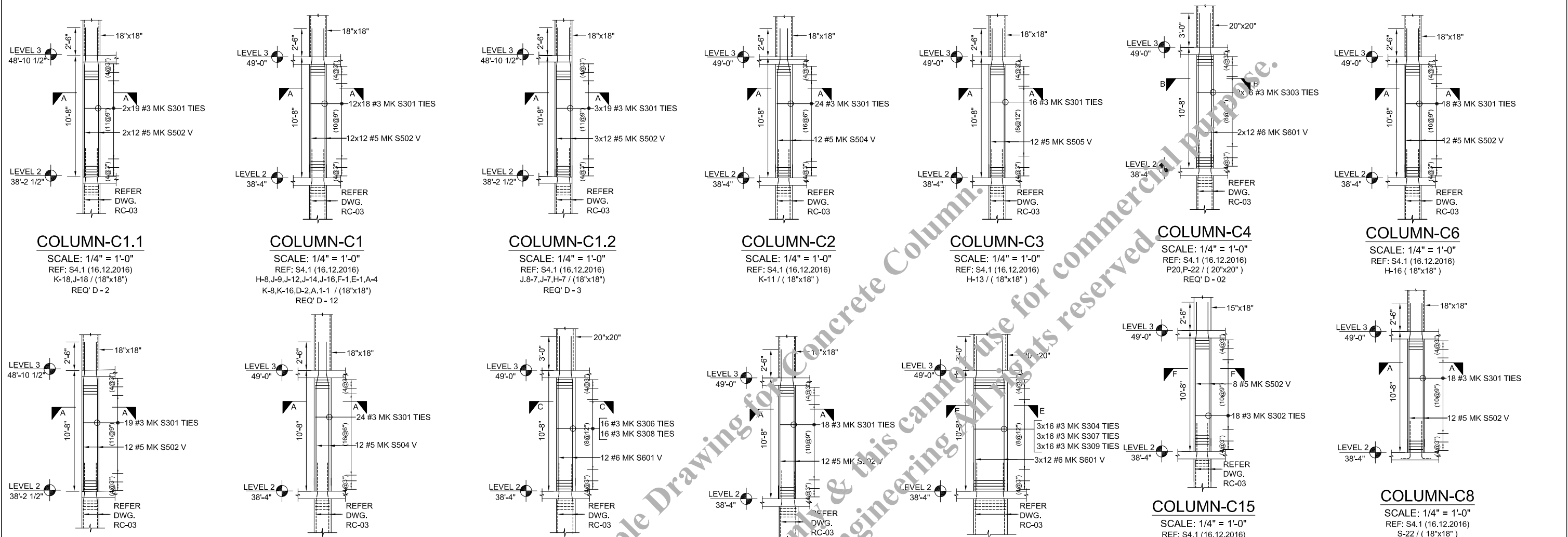
Drawing Sheet: RC-03

Bar Mark	Qty	Size	Total Length	Type	BENDING DETAILS														
					'A'	'B'	'C'	'D'	'E'	'F'	'G'	'H'	'J'	'K'	'L'	'R'			
R301	431	#3	5'-8"	T1	0'-4"	1'-3"	1'-3"	1'-3"	1'-3"										
R302	48	#3	9'-0"	T1	0'-4"	1'-5"	2'-9"	1'-5"	2'-9"										
R303	24	#3	6'-8"	T1	0'-4"	1'-6"	1'-6"	1'-6"	1'-6"										
R304	51	#3	6'-4"	T1	0'-4"	1'-5"	1'-5"	1'-5"	1'-5"										
R305	16	#3	8'-0"	T1	0'-4"	1'-5"	2'-3"	1'-5"	2'-3"										
R306	48	#3	6'-4 1/2"	T1	0'-4"	1'-5 1/2"	1'-5"	1'-5 1/2"	1'-5"										
R307	16	#3	5'-10 1/2"	T1	0'-4"	1'-2 1/2"	1'-5"	1'-2 1/2"	1'-5"										
R308	48	#3	2'-1"	T9	0'-4"	1'-5"													
R309	18	#3	5'-2"	T1	0'-4"	1'-3"	1'-3"	1'-0"	1'-3"										
R501	192	#5	13'-2 1/2"	3		2'-9"	0'-7 1/2"	9'-9 1/2"											
R502	36	#5	13'-1 1/2"	3		2'-9"	0'-7 1/2"	9'-8 1/2"											
R503	8	#5	13'-2 1/2"	3		2'-9"	0'-9"	9'-8"											
R504	12	#5	13'-2 1/2"	3		2'-9"	1'-3 1/2"	9'-2"											
R601	46	#6	13'-8 1/2"	3		3'-3"	0'-9"	9'-8"											
R602	46	#6	11'-6"	2	1'-0"	10'-6"													
R603	12	#6	13'-8 1/2"	3		3'-3"	1'-3 1/2"	9'-2"											
R901	24	#9	15'-2 1/2"	3		4'-9"	1'-3 1/2"	9'-2"											
R1001	12	#10	12'-4"	2	1'-10"	10'-6"													

SIZE	LAP LENGTH
#3	1'-6"
#4	2'-0"
#5	2'-6"
#6	3'-0"
#7	3'-6"
#8	4'-0"
#9	4'-6"
#10	5'-0"
#11	5'-6"

NOTE
ALL REBAR SHALL BE BLACK





COLUMN-C1.1
SCALE: 1/4" = 1'-0"
REF: S4.1 (16.12.2016)
K-18, J-18 / (18"x18")
REQ' D - 2

COLUMN-C1
SCALE: 1/4" = 1'-0"
REF: S4.1 (16.12.2016)
H-8, J-9, J-12, J-14, J-16, F-1, E-1, A-4
K-8, K-16, D-2, A-1-1 / (18"x18")
REQ' D - 12

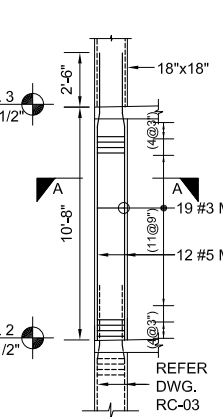
COLUMN-C1.2
SCALE: 1/4" = 1'-0"
REF: S4.1 (16.12.2016)
J-8-7, J-7, H-7 / (18"x18")
REQ' D - 3

COLUMN-C2
SCALE: 1/4" = 1'-0"
REF: S4.1 (16.12.2016)
K-11 / (18"x18")

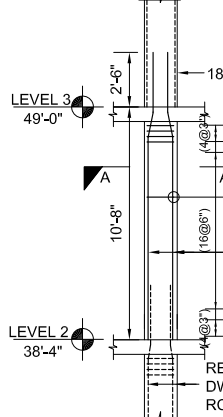
COLUMN-C3
SCALE: 1/4" = 1'-0"
REF: S4.1 (16.12.2016)
H-13 / (18"x18")

COLUMN-C4
SCALE: 1/4" = 1'-0"
REF: S4.1 (16.12.2016)
P20, P-22 / (20"x20")
REQ' D - 02

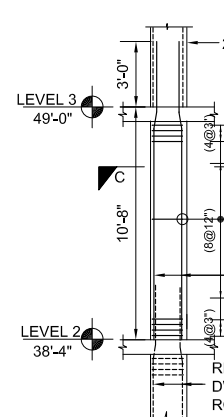
COLUMN-C6
SCALE: 1/4" = 1'-0"
REF: S4.1 (16.12.2016)
H-16 / (18"x18")



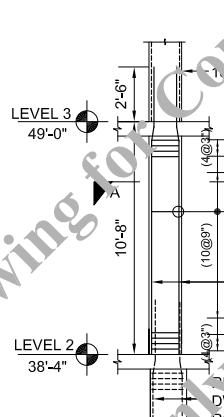
COLUMN-C6.1
SCALE: 1/4" = 1'-0"
REF: S4.1 (16.12.2016)
H-18 (18"x18")



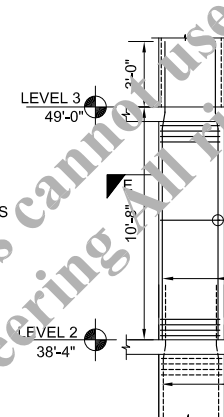
COLUMN-C7
SCALE: 1/4" = 1'-0"
REF: S4.1 (16.12.2016)
H-11 / (18"x18")



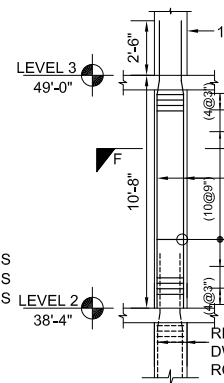
COLUMN-C9
SCALE: 1/4" = 1'-0"
REF: S4.1 (16.12.2016)
M-19 / (20"x20")



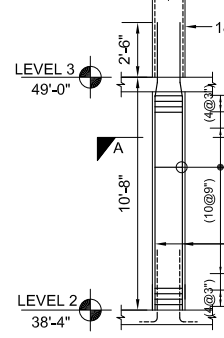
COLUMN-C12
SCALE: 1/4" = 1'-0"
REF: S4.1 (16.12.2016)
K-13 / (18"x18")



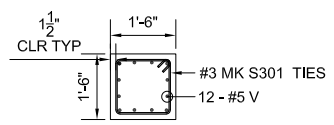
COLUMN-C14
SCALE: 1/4" = 1'-0"
REF: S4.1 (16.12.2016)
N-24, R-24, T-24 / (20"x20")
REQ' D - 03



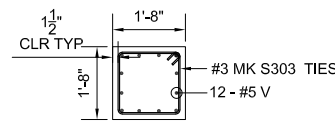
COLUMN-C15
SCALE: 1/4" = 1'-0"
REF: S4.1 (16.12.2016)
A-3 / (15"x18")



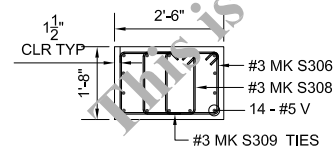
COLUMN-C8
SCALE: 1/4" = 1'-0"
REF: S4.1 (16.12.2016)
S-22 / (18"x18")



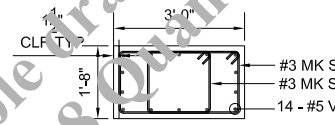
SECTION-A
SCALE: 1/2" = 1'-0"
REF: 2/S4.1(16.12.2016)
TYPE A (18"x18")



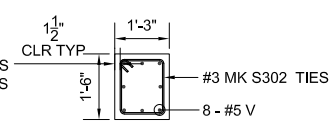
SECTION-B
SCALE: 1/2" = 1'-0"
REF: 3/S4.1(16.12.2016)
TYPE B (20"x20")



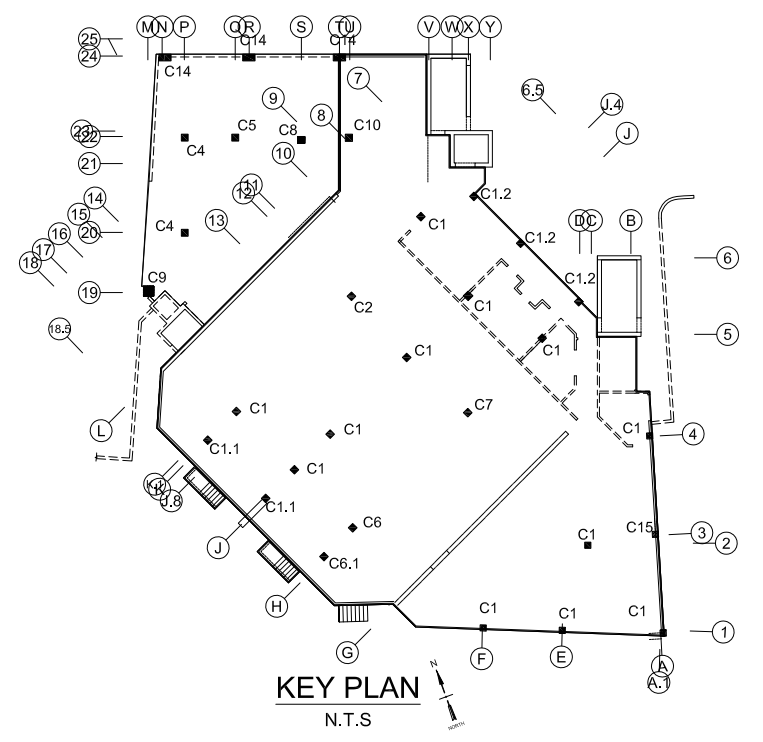
SECTION-C
SCALE: 1/2" = 1'-0"
REF: 6/S4.1(16.12.2016)
TYPE C (20"x30")



SECTION-E
SCALE: 1/2" = 1'-0"
REF: 7/S4.1(16.12.2016)
TYPE E (20"x36")



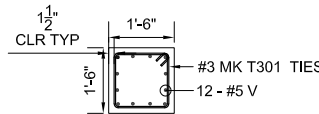
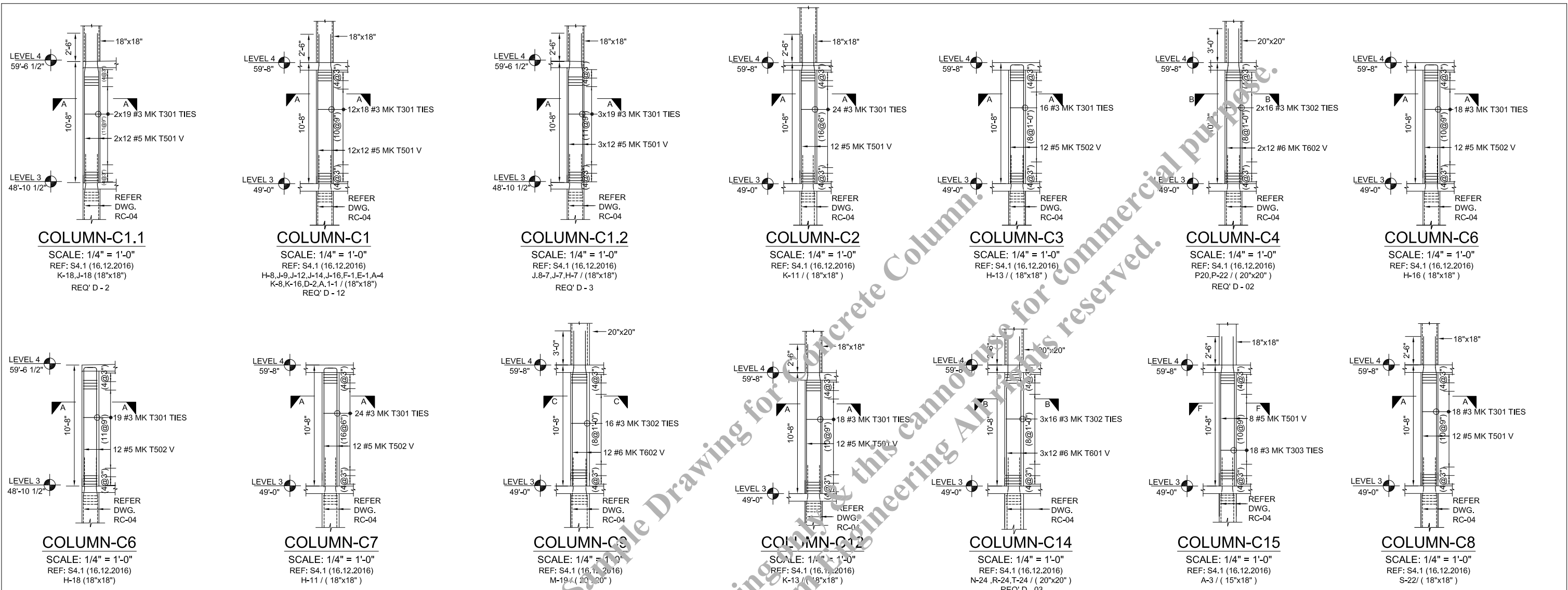
SECTION-F
SCALE: 1/2" = 1'-0"
REF: 7/S4.1(16.12.2016)
TYPE D (15"x18")



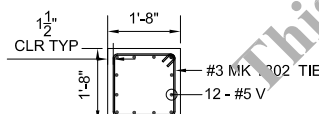
Drawing Sheet : RC-04		BENDING DETAILS														
Bar Mark	Qty	Size	Total Length	Type	'A'	'B'	'C'	'D'	'E'	'F'	'G'	'H'	'J'	'K'	'O'	'R'
S301	448	#3	5'-8"	T1	0'-4"	1'-3"	1'-3"	1'-3"	1'-3"		0'-4"	0'-2 1/2"				
S302	18	#3	5'-2"	T1	0'-4"	1'-0"	1'-3"	1'-0"	1'-3"		0'-4"	0'-2 1/2"				
S303	32	#3	6'-4"	T1	0'-4"	1'-5"	1'-5"	1'-5"	1'-5"		0'-4"	0'-2 1/2"				
S304	48	#3	9'-0"	T1	0'-4"	1'-5"	2'-9"	1'-5"	2'-9"		0'-4"	0'-2 1/2"				
S306	16	#3	8'-0"	T1	0'-4"	1'-5"	2'-3"	1'-5"	2'-3"		0'-4"	0'-2 1/2"				
S307	48	#3	6'-4 1/2"	T1	0'-4"	1'-5 1/2"	1'-5"	1'-5 1/2"	1'-5"		0'-4"	0'-2 1/2"				
S308	16	#3	5'-10 1/2"	T1	0'-4"	1'-2 1/2"	1'-5"	1'-2 1/2"	1'-5"		0'-4"	0'-2 1/2"				
S309	48	#3	2'-1"	T9	0'-4"	1'-5"					0'-4"					
S502	260	#5	13'-2 1/2"	3		2'-9"	0'-7 1/2"	9'-9 1/2"				0'-1 1/2"	0'-7 1/2"	13'-2"		
S504	24	#5	13'-2 1/2"	3		2'-9"	1'-1 1/2"	13'-2"	9'-3 1/2"			0'-3 1/2"	1'-1 1/2"	13'-2"		
S505	12	#5	13'-2 1/2"	3		2'-9"	0'-9 1/2"	9'-8"				0'-2 1/2"	0'-9"	13'-2"		
S601	72	#6	13'-8 1/2"	3		3'-3"	0'-9 1/2"	9'-8"				0'-2 1/2"	0'-9"	13'-8"		

LAP TABLE	
SIZE	LAP LENGTH
#3	1'-6"
#4	2'-0"
#5	2'-6"
#6	3'-0"
#7	3'-6"
#8	4'-0"
#9	4'-6"
#10	5'-0"
#11	5'-6"

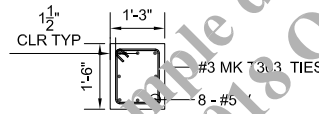
NOTE
ALL REBAR SHALL BE BLACK



SECTION-A
SCALE: 1/2" = 1'-0"
REF: 2/S4.1(16.12.2016)
TYPE A (18"x18")



SECTION-B
SCALE: 1/2" = 1'-0"
REF: 3/S4.1(16.12.2016)
TYPE B (20"x20")



SECTION-F
SCALE: 1/2" = 1'-0"
REF: 7/S4.1(16.12.2016)
TYPE D (15"x18")

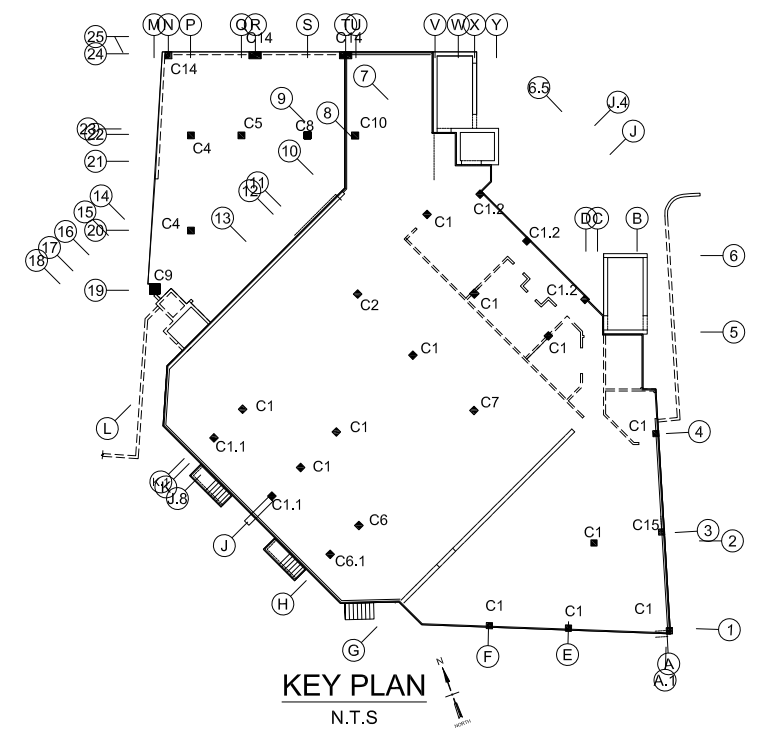
Drawing Sheet : RC-05

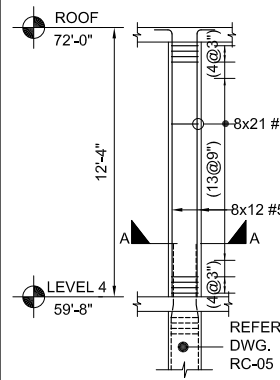
Bar Mark	Qty	Size	Total Length	BENDING DETAILS													
				Type	'A'	'B'	'C'	'D'	'E'	'F'	'G'	'H'	'J'	'K'	'O'	'R'	
T301	448	#3	5'-8"	T1	0'-4"	1'-3"	1'-3"	1'-3"	1'-3"	0'-4"	0'-2 1/2"						
T302	96	#3	6'-4"	T1	0'-4"	1'-5"	1'-5"	1'-5"	1'-5"	0'-4"	0'-2 1/2"						
T303	18	#3	5'-2"	T1	0'-4"	1'-0"	1'-3"	1'-0"	1'-3"	0'-4"	0'-2 1/2"						
T501	248	#5	13'-2 1/2"	3		2'-9"	0'-7 1/2"	9'-9 1/2"	1'-3"		0'-1 1/2"			0'-7 1/2"	13'-2"		
T502	48	#5	11'-4"	2	0'-10"												
T601	36	#6	13'-2 1/2"	3		3'-3"	0'-9 1/2"	9'-2"			0'-2 1/2"		0'-9"	13'-2"			
T602	36	#6	13'-8 1/2"	3		3'-3"	0'-9 1/2"	9'-8"			0'-2 1/2"		0'-9"	13'-8"			

LAP TABLE

SIZE	LAP LENGTH
#3	1'-6"
#4	2'-0"
#5	2'-6"
#6	3'-0"
#7	3'-6"
#8	4'-0"
#9	4'-6"
#10	5'-0"
#11	5'-6"

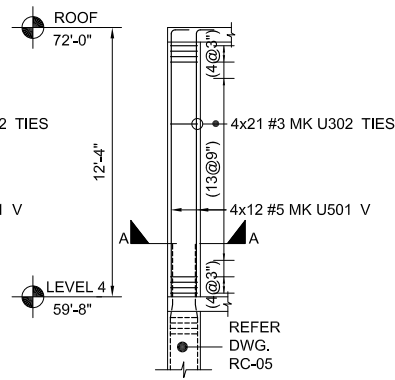
NOTE
ALL REBAR SHALL BE BLACK





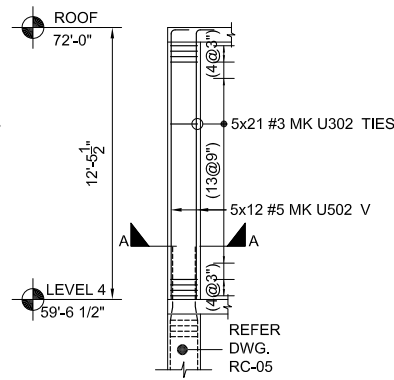
COLUMN-C1

SCALE: 1/4" = 1'-0"
 REF: S4.1 (16.12.2016)
 D-2, H-8, J-9
 J-12, J-14, J-16, K-8, K-16
 REQ' D - 08
 (18"x18")



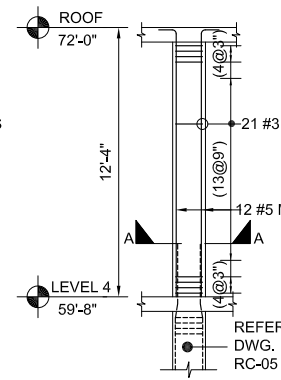
COLUMN-C1

SCALE: 1/4" = 1'-0"
 REF: S4.1 (16.12.2016)
 A-4, A.1-1, E-1, F-1
 REQ' D - 04
 (18"x18")



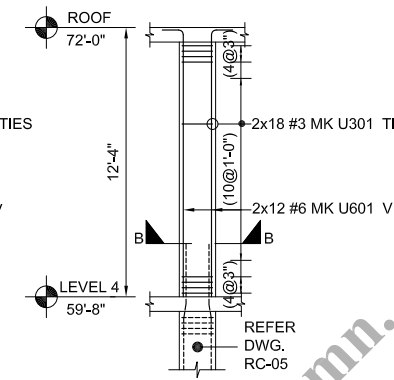
COLUMN-C1.A

SCALE: 1/4" = 1'-0"
 REF: S4.1 (16.12.2016)
 J-18, K-18, J.8-7, J.7, H-7
 REQ' D - 05
 (18"x18")



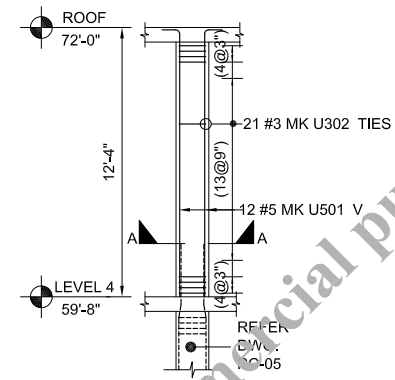
COLUMN-C2

SCALE: 1/4" = 1'-0"
 REF: S4.1 (16.12.2016)
 K-11
 REQ' D - 01
 (18"x18")



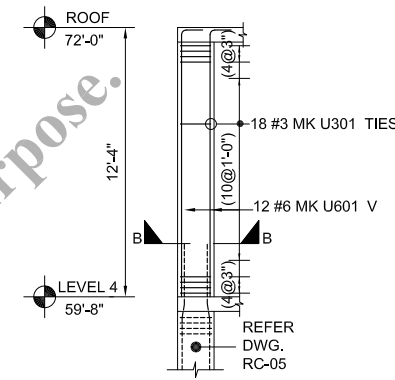
COLUMN-C4

SCALE: 1/4" = 1'-0"
 REF: S4.1 (16.12.2016)
 P-20, P-22
 REQ' D - 02
 (20"x20")



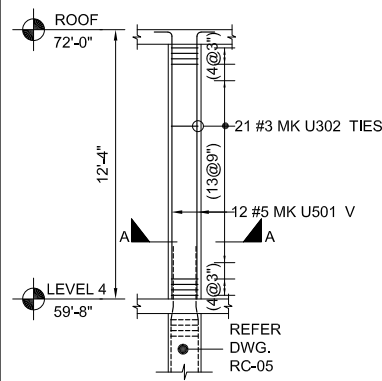
COLUMN-C8

SCALE: 1/4" = 1'-0"
 REF: S4.1 (16.12.2016)
 S-22
 REQ' D - 01
 (18"x18")



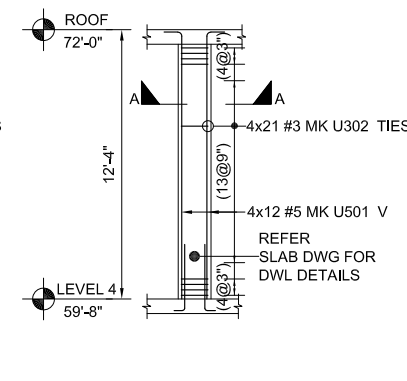
COLUMN-C9

SCALE: 1/4" = 1'-0"
 REF: S4.1 (16.12.2016)
 M-19
 REQ' D - 01
 (20"x20")



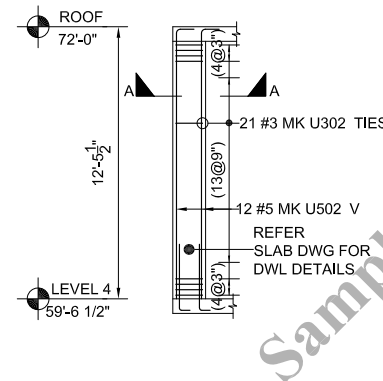
COLUMN-C12

SCALE: 1/4" = 1'-0"
 REF: S4.1 (16.12.2016)
 K-13
 REQ' D - 01
 (18"x18")



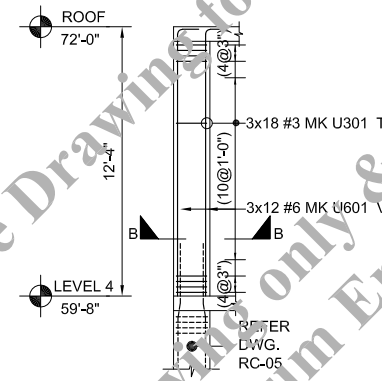
COLUMN-C13

SCALE: 1/4" = 1'-0"
 REF: S4.1 (16.12.2016)
 G-10, G-13, G-15, J-13
 REQ' D - 04
 (18"x18")



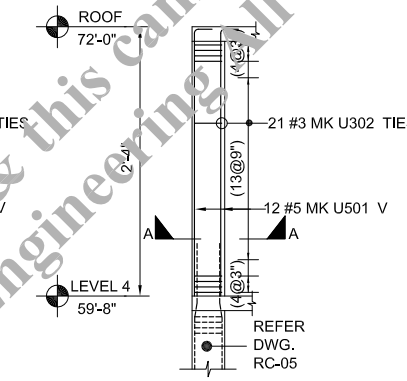
COLUMN-C13.A

SCALE: 1/4" = 1'-0"
 REF: S4.1 (16.12.2016)
 G-17
 REQ' D - 01
 (18"x18")



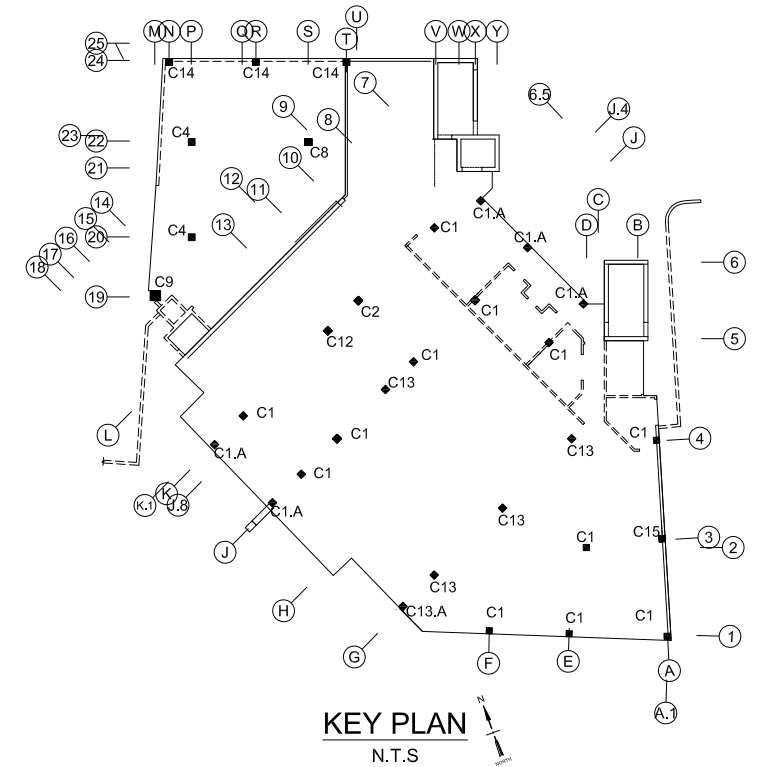
COLUMN-C14

SCALE: 1/4" = 1'-0"
 REF: S4.1 (16.12.2016)
 N-24, R-24, T-24
 REQ' D - 03
 (20"x20")



COLUMN-C15

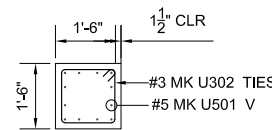
SCALE: 1/4" = 1'-0"
 REF: S4.1 (16.12.2016)
 A-03
 REQ' D - 01
 (18"x18")



KEY PLAN
 N.T.S.

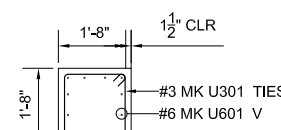
Drawing Sheet : RC-06

Bar Mark	Qty	Size	Total Length	Type	BENDING DETAILS											
					'A'	'B'	'C'	'D'	'E'	'F'	'G'	'H'	'I'	'J'		
U301	108	#3	6'-4"	T1	0'-4"	1'-5"	1'-5"	1'-5"	1'-5"		0'-4"					
U302	546	#3	5'-8"	T1	0'-4"	1'-3"	1'-3"	1'-3"	1'-3"		0'-4"	0'-2 1/2"				
U501	240	#5	13'-1"	2	0'-10"	12'-3"										
U502	72	#5	13'-2 1/2"	2	0'-10"	12'-4 1/2"										
U601	72	#6	13'-3"	2	1'-0"	12'-3"										



SECTION-A

SCALE: 1/2" = 1'-0"
 TYPE A (18"x18")
 REFER: 2/S4.1



SECTION-B

SCALE: 1/2" = 1'-0"
 TYPE B (20"x20")
 REFER: 3/S4.1

ABBREVIATION

V - VERTICAL
 DWL - DWEL

NOTE:
 ALL REBAR SHALL BE BLACK

LAP TABLE	
SIZE	LAP LENGTH
#3	1'-6"
#4	2'-0"
#5	2'-6"
#6	3'-0"
#7	3'-6"
#8	4'-0"
#9	4'-6"
#10	5'-0"
#11	5'-6"