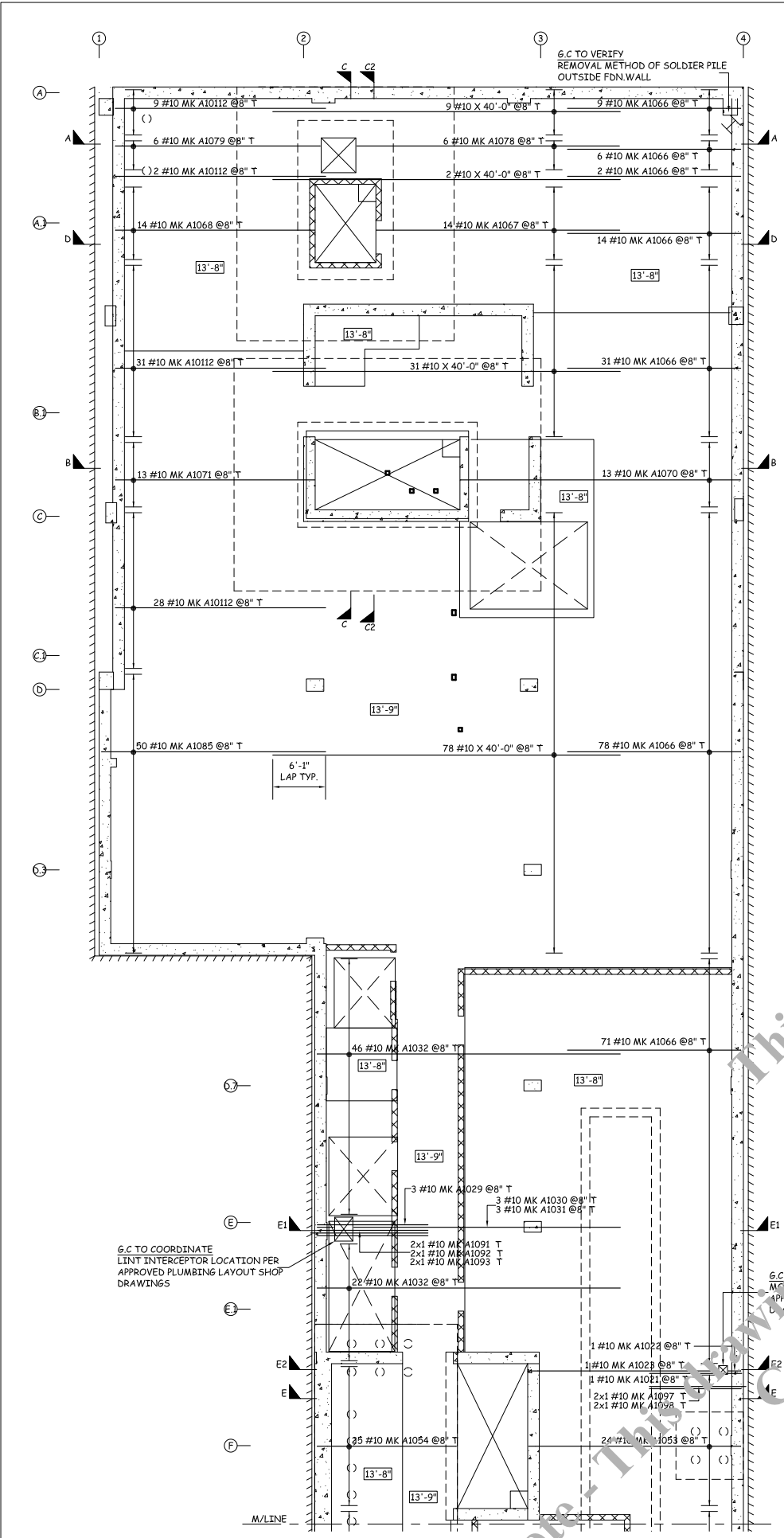
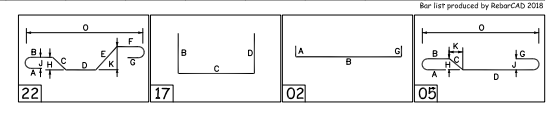
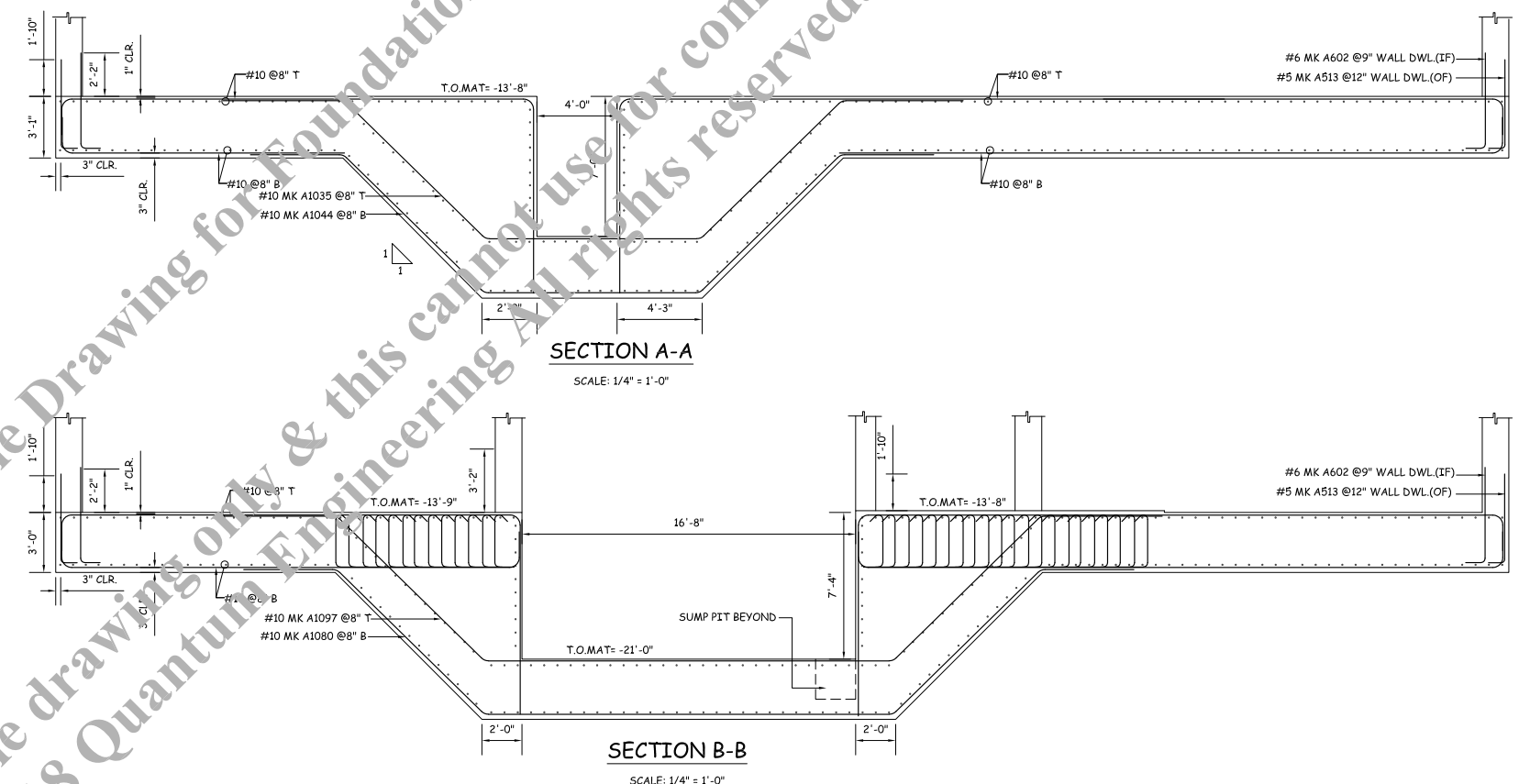


Drawing Sheet: R-01				BENDING DETAILS															
Bar Mark	Qty	Size	Total Length	Type	'A'	'B'	'C'	'D'	'E'	'F'	'G'	'H'	'J'	'K'	'O'	'R'			
A1021	1	#10	11'-4"	22		5'-1"	1'-4"	2'-9"	1'-1"										
A1022	1	#10	7'-0"	17		1'-10"	1'-6"	3'-8"											
A1023	1	#10	27'-4"	17		1'-10"	21'-10"	3'-8"											
A1029	3	#10	13'-11"	22		6'-1"	2'-4"	3'-10"	1'-7"				1'-8"	1'-2"	12'-8"				
A1030	3	#10	35'-0"	17		4'-4"	30'-8"												
A1031	3	#10	8'-1"	17		1'-10"	1'-11"	4'-4"											
A1032	117	#10	36'-9"	2	1'-10"	34'-11"													
A1053	24	#10	28'-2"	2	1'-10"	24'-6"													
A1054	29	#10	19'-9"	2	1'-10"	16'-1"													
A1066	260	#10	21'-10"	2	1'-10"	20'-0"													
A1067	14	#10	37'-9"	17		9'-9"	28'-0"												
A1068	14	#10	34'-7"	17		1'-10"	23'-0"	9'-9"											
A1070	13	#10	44'-2"	17		10'-1"	32'-3"	1'-10"											
A1071	13	#10	34'-10"	17		1'-10"	23'-0"	10'-0"											
A1078	6	#10	40'-0"	17		9'-9"	30'-3"	9'-9"											
A1079	6	#10	39'-3"	17		1'-10"	23'-8"	9'-9"											
A1085	50	#10	27'-8"	2	1'-10"	25'-10"													
A1089	7	#10	30'-3"	2	1'-10"	26'-7"													
A1090	7	#10	21'-2"	2	1'-10"	17'-6"													
A1091	2	#10	13'-7"	22		6'-1"	1'-10"	4'-7"	1'-1"					1'-3"	0'-10"	12'-8"			
A1092	2	#10	13'-10"	22		6'-1"	1'-2"	9'-5"	1'-1"					0'-10"	0'-4"	13'-5"			
A1093	2	#10	12'-10"	5		6'-1"	0'-9"	6'-4"						0'-4"	0'-4"	12'-9"			
A1097	2	#10	11'-6"	22		6'-1"	1'-1"	3'-2"	1'-1"					0'-9"	0'-6"	11'-0"			
A1098	2	#10	10'-7"	5		8'-1"	0'-4"	4'-2"						0'-3"	0'-3"	10'-6"			
A10112	70	#10	26'-1"	2	1'-10"	24'-3"													

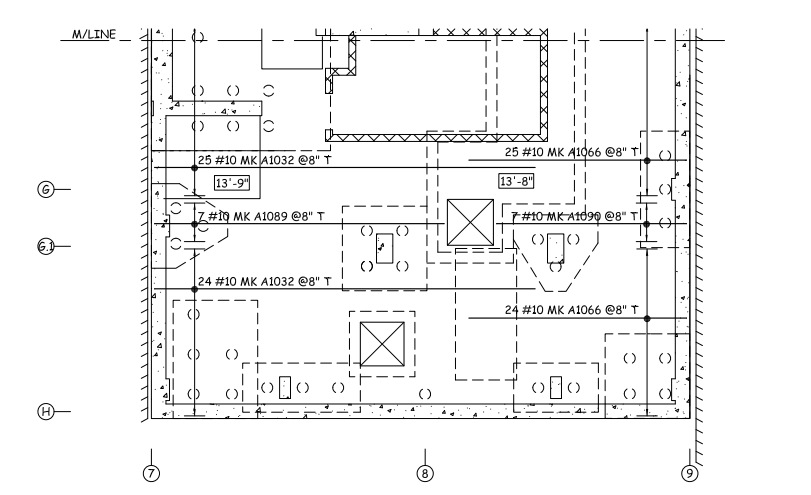


MAT FOUNDATION
E-W TOP BAR ARRANGEMENT
SCALE: 1/8" = 1'-0"



SECTION A-A
SCALE: 1/4" = 1'-0"

SECTION B-B
SCALE: 1/4" = 1'-0"



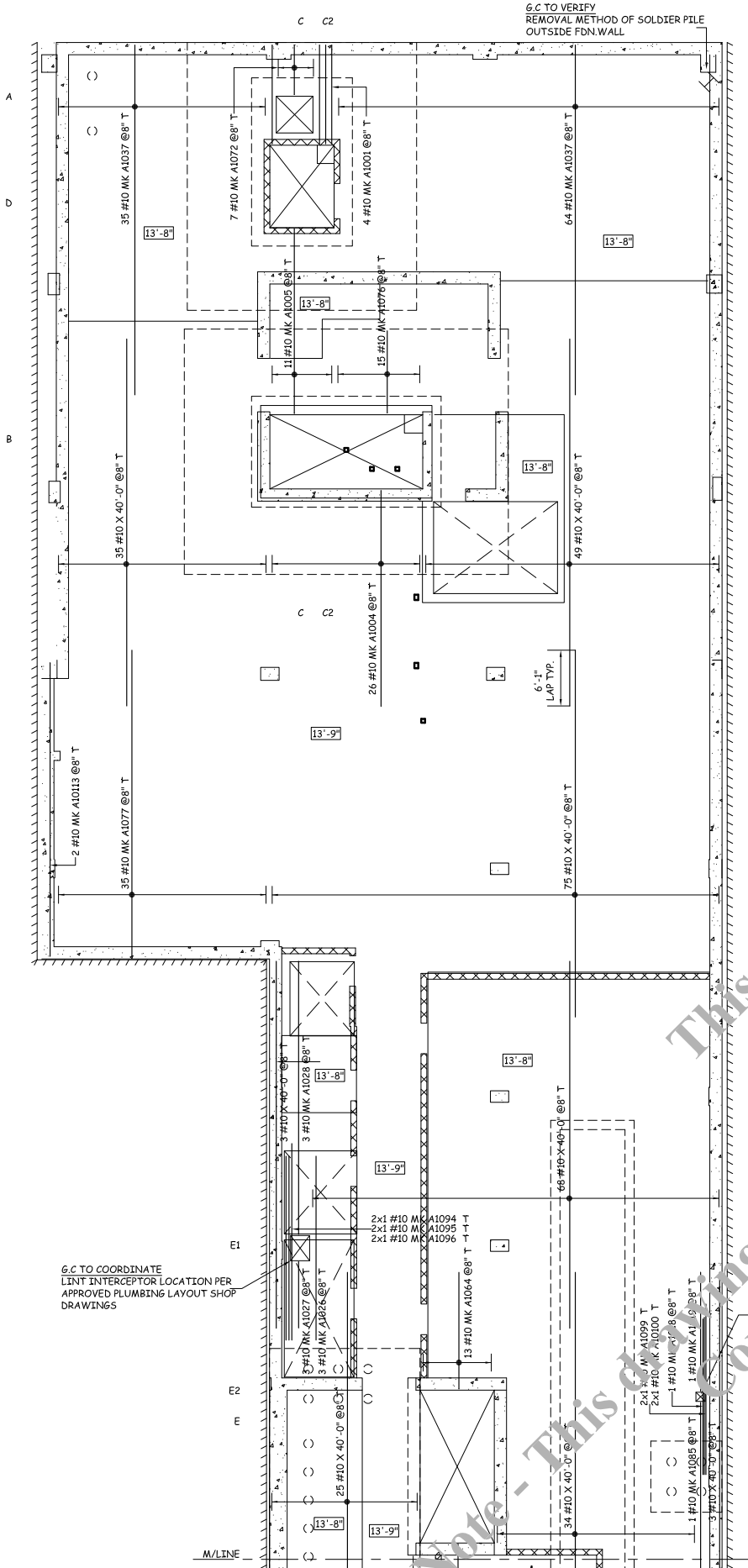
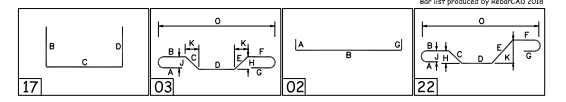
MAT FOUNDATION - PART II
E-W TOP BAR ARRANGEMENT
SCALE: 1/8" = 1'-0"

This is a Sample Drawing for Foundation. Copyright © 2018 Quantum Engineering All rights reserved.

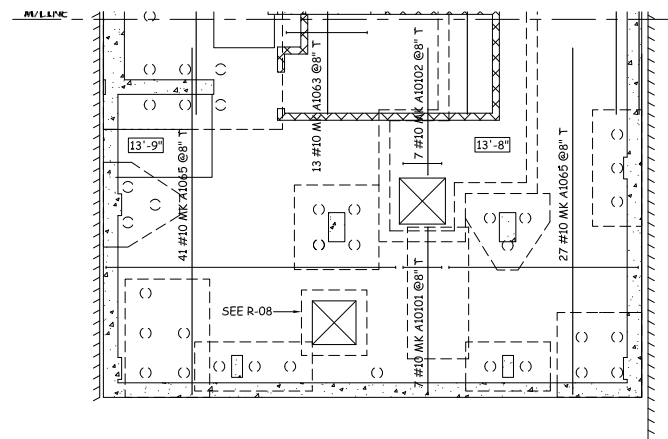
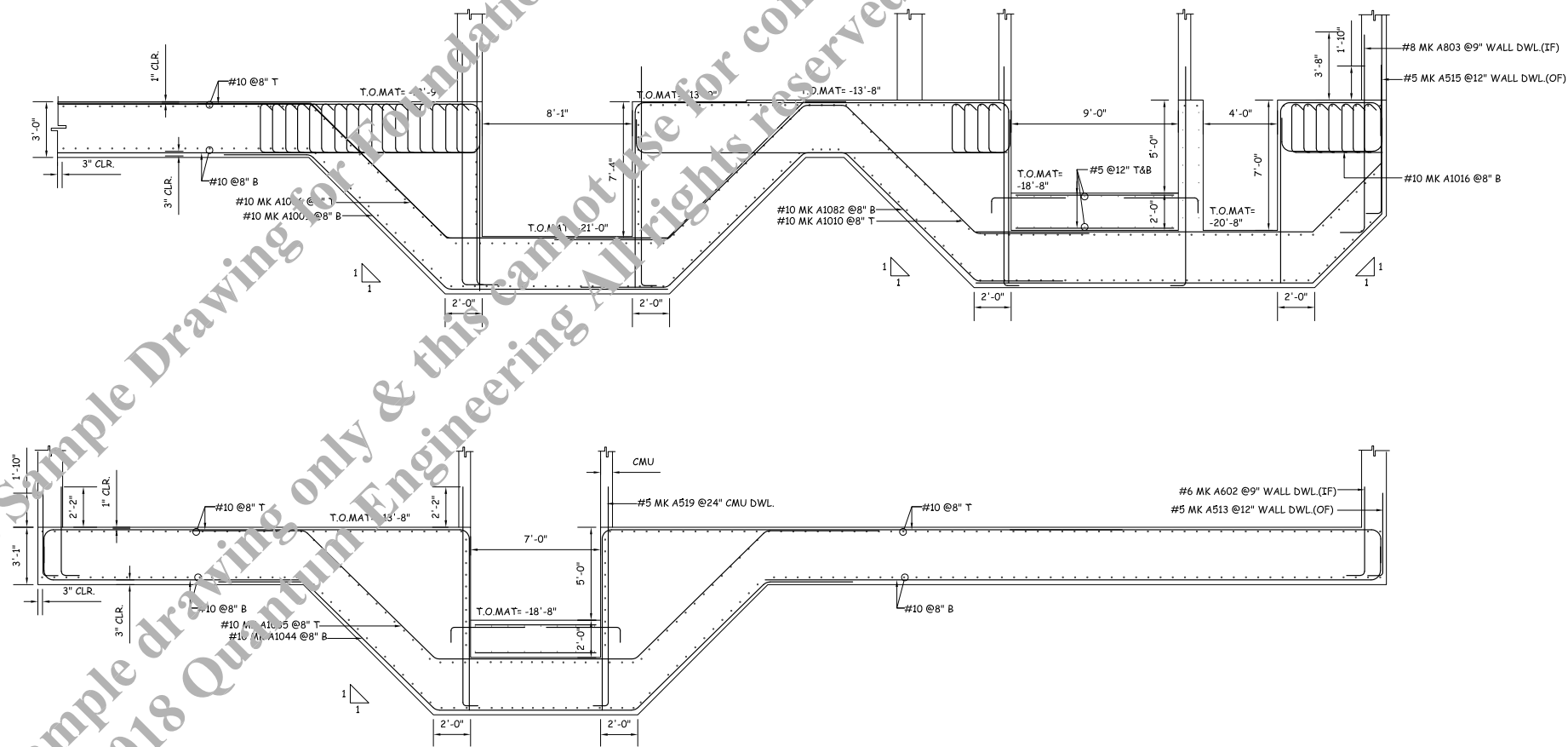
G.C TO COORDINATE
LINT INTERCEPTOR LOCATION PER
APPROVED PLUMBING LAYOUT SHOP
DRAWINGS

G.C TO COORDINATE
MCP LINT LOCATION PER
APPROVED PLUMBING LAYOUT SHOP
DRAWINGS

Drawing Sheet: R-02				BENDING DETAILS												
Bar Mark	Qty	Size	Total Length	Type	'A'	'B'	'C'	'D'	'E'	'F'	'G'	'H'	'J'	'K'	'O'	'R'
A1001	4	#10	22'-8"	17			1'-10"	10'-10"	9'-9"							
A1004	26	#10	33'-8"	17			10'-1"	23'-7"								
A1005	11	#10	39'-11"	17			9'-9"	20'-2"	10'-0"							
A1018	1	#10	17'-9"	3	1'-10"	6'-1"	1'-4"	2'-9"	1'-4"	6'-1"		1'-0"		1'-0"	16'-11"	
A1019	1	#10	14'-10"	2	1'-10"	13'-0"										
A1026	3	#10	21'-5"	3	6'-1"	2'-4"	4'-6"	2'-4"	6'-1"		1'-8"		1'-8"	20'-0"		
A1027	3	#10	9'-1"	2	1'-10"	7'-3"										
A1028	3	#10	31'-7"	2	1'-10"	29'-9"										
A1037	99	#10	40'-0"	2	1'-10"	38'-2"										
A1063	13	#10	12'-3"	2	1'-10"	10'-9"										
A1064	13	#10	14'-7"	2	1'-10"	12'-9"										
A1065	68	#10	33'-7"	2	1'-10"	31'-9"										
A1072	7	#10	17'-1"	17		1'-3"	5'-6"	9'-9"								
A1076	15	#10	18'-9"	17		8'-9"	9'-0"									
A1077	35	#10	35'-3"	2	1'-10"	33'-0"										
A1085	1	#10	27'-8"	2	1'-10"	25'-10"										
A1094	2	#10	21'-1"	22		6'-1"	1'-10"	5'-3"	1'-10"	6'-1"		1'-3"		1'-3"	20'-0"	
A1095	2	#10	20'-8"	22		6'-1"	1'-2"	6'-2"	1'-2"	6'-1"		0'-10"		0'-10"	20'-0"	
A1096	2	#10	21'-6"	22		6'-1"	1'-1"	7'-1"	1'-1"	6'-1"		0'-4"		0'-4"	22'-4"	
A1099	2	#10	17'-8"	22		6'-1"	1'-1"	3'-3"	1'-1"	6'-1"		0'-8"		0'-8"	17'-1"	
A10100	2	#10	18'-7"	22		6'-1"	1'-1"	4'-3"	1'-1"	6'-1"		0'-3"		0'-3"	18'-6"	
A10101	7	#10	19'-0"	2	1'-10"	15'-4"										
A10102	7	#10	13'-6"	2	1'-10"	11'-8"										
A10113	2	#10	35'-9"	2	1'-10"	32'-1"										



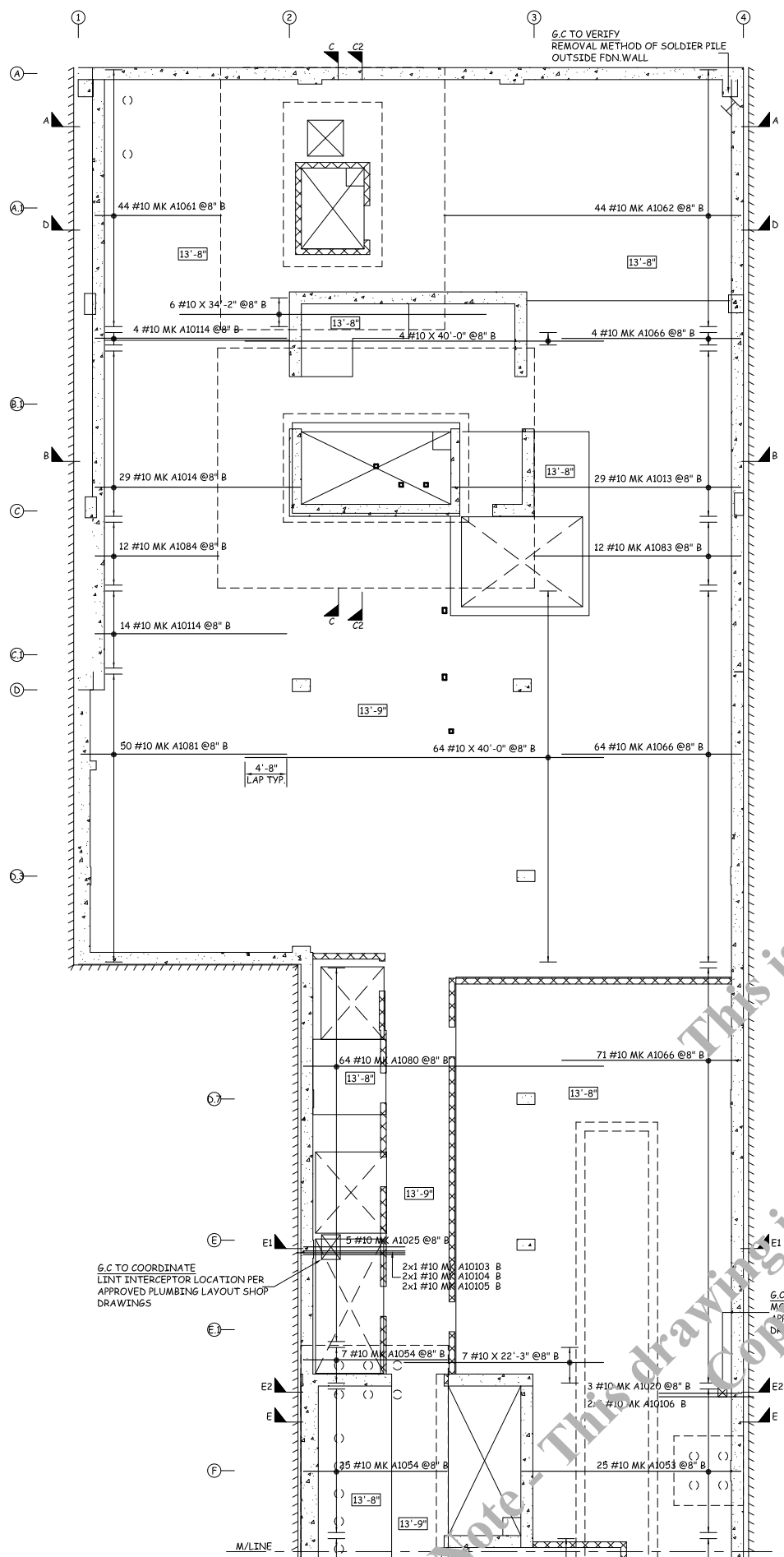
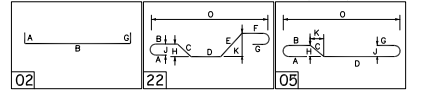
MAT FOUNDATION
N-S TOP BAR ARRANGEMENT
SCALE: 1/8" = 1'-0"



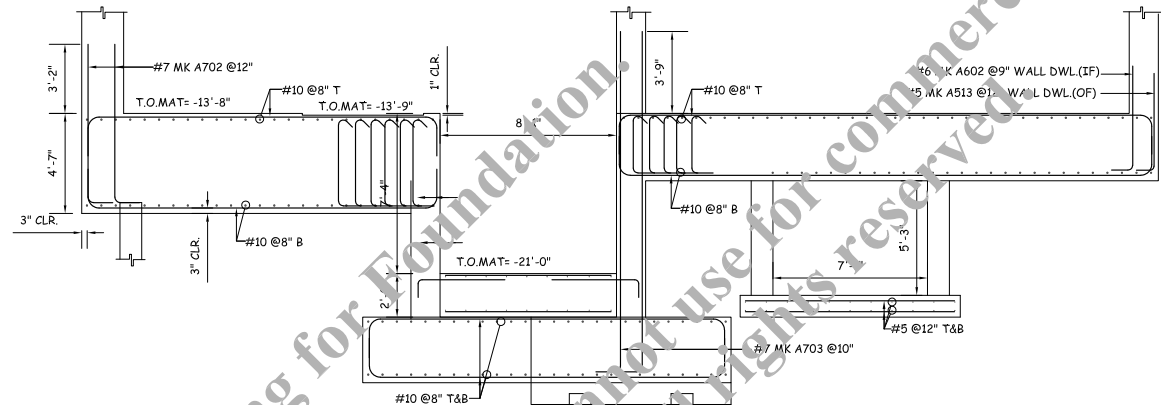
MAT FOUNDATION - PART II
N-S TOP BAR ARRANGEMENT
SCALE: 1/8" = 1'-0"

This is a Sample Drawing for Foundation. All rights reserved. © 2018 Quantum Engineering

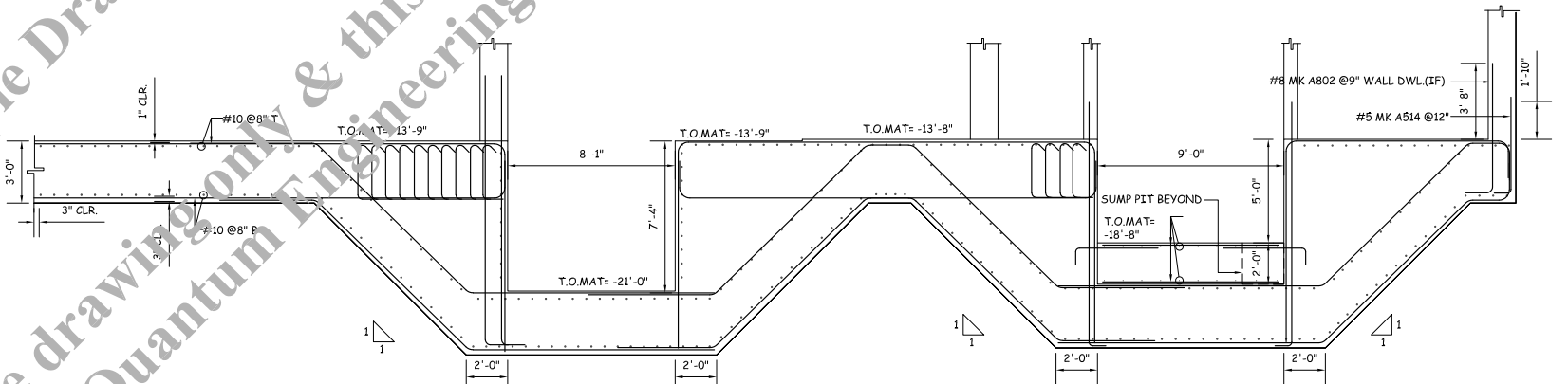
Drawing Sheet: R-03				BENDING DETAILS												
Bar Mark	Qty	Size	Total Length	Type	'A'	'B'	'C'	'D'	'E'	'F'	'G'	'H'	'J'	'K'	'O'	'R'
A1013	29	#10	35'-11 1/2"	2	1'-10"	32'-3 1/2"				1'-10"						
A1014	29	#10	26'-7 1/2"	2	1'-10"	22'-11 1/2"				1'-10"						
A1020	3	#10	9'-11 1/2"	22	4'-8"	1'-4 1/2"	2'-9 1/2"	1'-1 1/2"						1'-0"	0'-10 1/2"	9'-1 1/2"
A1025	5	#10	12'-6 1/2"	22	4'-8"	2'-4 1/2"	3'-10 1/2"	1'-7 1/2"						1'-10"	1'-8"	1'-2 1/2"
A1053	25	#10	28'-2"	2	1'-10"	24'-6"										
A1054	50	#10	19'-9"	2	1'-10"	16'-1"								1'-10"		
A1061	44	#10	15'-11 1/2"	2	1'-10"	14'-1 1/2"										
A1062	44	#10	35'-0"	2	1'-10"	33'-2"										
A1066	188	#10	21'-10"	2	1'-10"	20'-0"										
A1080	95	#10	35'-4"	2	1'-10"	33'-6"										
A1081	50	#10	24'-10"	2	1'-10"	23'-0"										
A1083	12	#10	25'-0"	2	1'-10"	23'-2"										
A1084	12	#10	15'-8"	2	1'-10"	13'-10"										
A1089	7	#10	30'-3 1/2"	2	1'-10"	26'-7 1/2"								1'-10"		
A1090	7	#10	21'-2"	2	1'-10"	18'-6"								1'-10"		
A10103	2	#10	12'-2 1/2"	22	4'-8"	1'-10"	4'-7"	1'-1 1/2"						1'-3 1/2"	0'-10 1/2"	11'-3"
A10104	2	#10	12'-5 1/2"	22	4'-8"	1'-2"	5'-6 1/2"	1'-1 1/2"						0'-10"	0'-4 1/2"	12'-0 1/2"
A10105	2	#10	11'-6"	5	4'-8"	0'-6"	5'-4"							0'-4 1/2"	0'-4 1/2"	11'-4 1/2"
A10106	2	#10	10'-8"	22	4'-8"	1'-1 1/2"	3'-9 1/2"	1'-1 1/2"						0'-6"	0'-3"	10'-6"
A10114	18	#10	23'-3"	2	1'-10"	21'-5"										



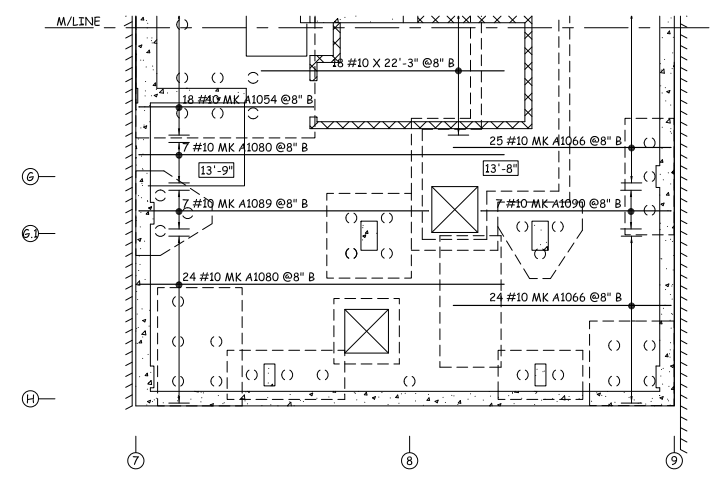
MAT FOUNDATION
E-W BOTTOM BAR ARRANGEMENT
SCALE: 1/8" = 1'-0"



SECTION E-E
SCALE: 1/4" = 1'-0"



SECTION C2-C2
SCALE: 1/4" = 1'-0"



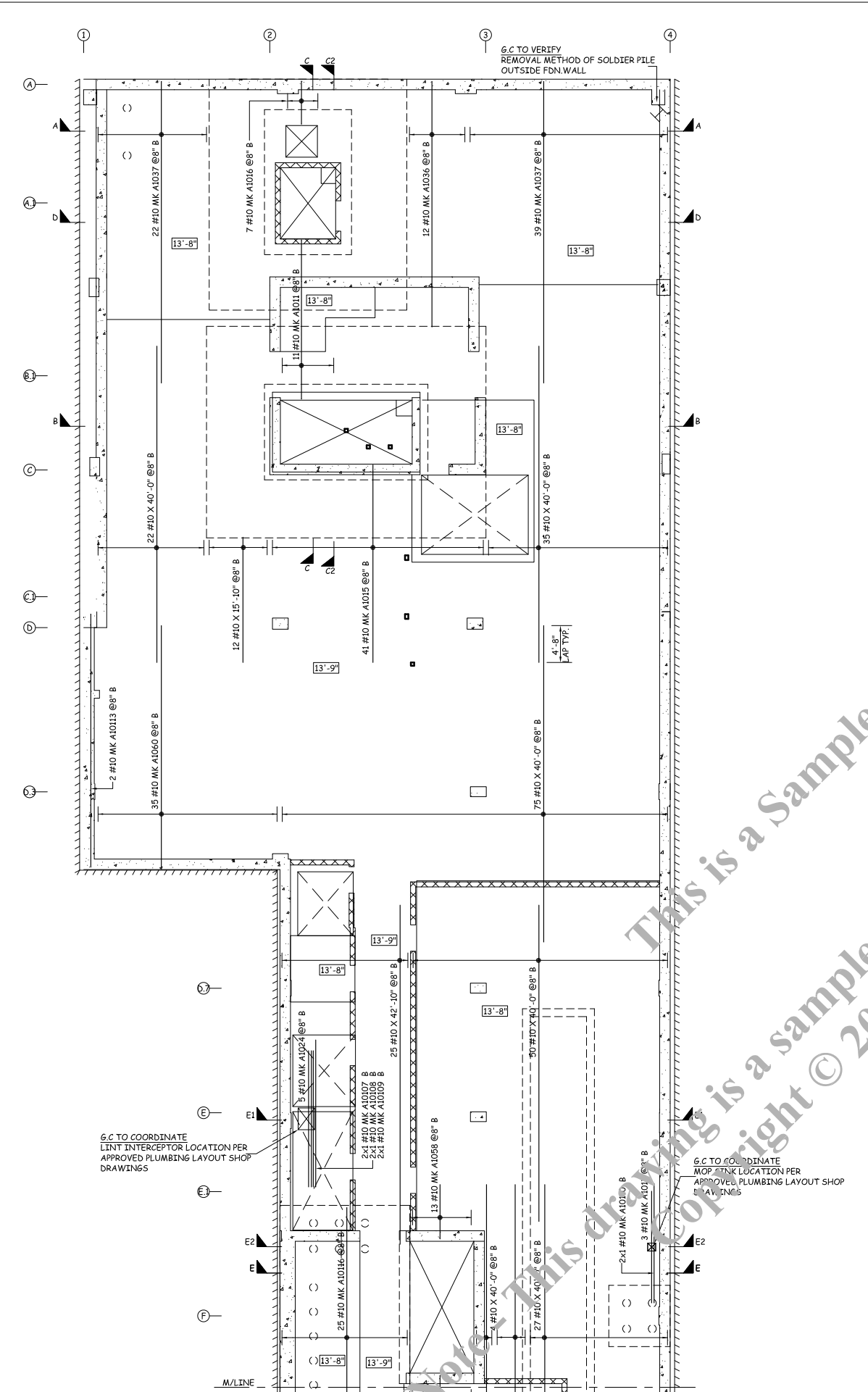
MAT FOUNDATION - PART II
E-W BOTTOM BAR ARRANGEMENT
SCALE: 1/8" = 1'-0"

This is a Sample Drawing for Foundation. This cannot be used for commercial purposes. All rights reserved. Copyright © 2018 Quantum Engineering

G.C TO COORDINATE
LINT INTERCEPTOR LOCATION PER
APPROVED PLUMBING LAYOUT SHOP
DRAWINGS

G.C TO COORDINATE
MCP SINK LOCATION PER
APPROVED PLUMBING LAYOUT SHOP
DRAWINGS

Bar list produced by RebarCAD 2018

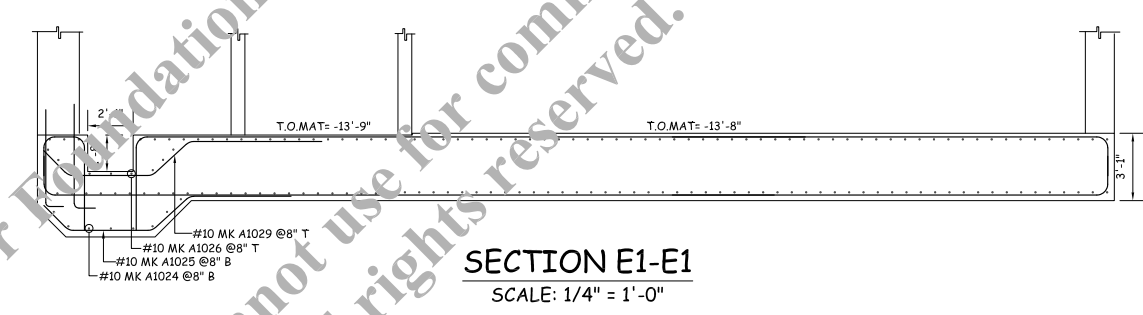
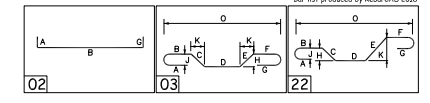


MAT FOUNDATION
N-S BOTTOM BAR ARRANGEMENT
SCALE: 1/8" = 1'-0"

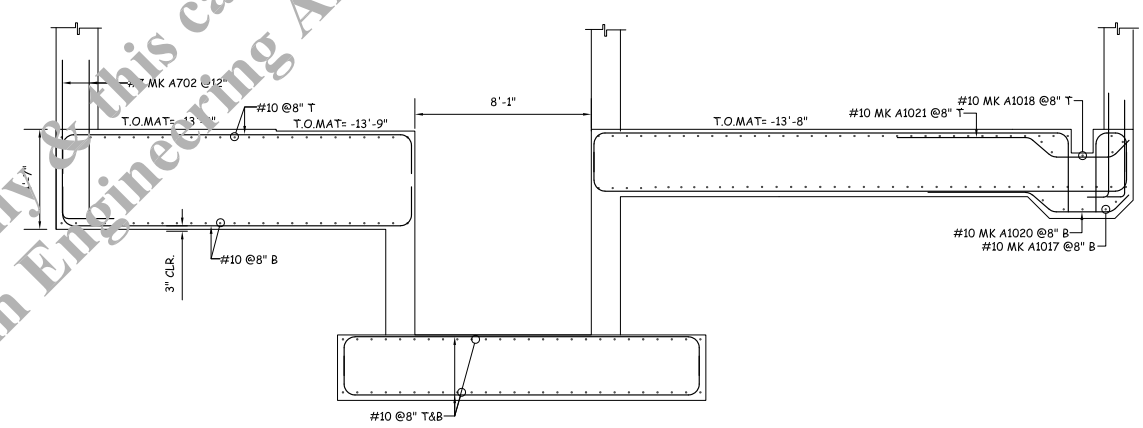
Drawing Sheet: R-04

Bar Mark	Qty	Size	Total Length	Type	'A'	'B'	'C'	'D'	'E'	'F'	'G'	'H'	'I'	'J'	'K'	'O'	'R'
A1011	11	#10	23'-10 1/2"	2	1'-10"	20'-2 1/2"											
A1015	41	#10	26'-10"	2	1'-10"	25'-0"											
A1016	7	#10	9'-2"	2	1'-10"	8'-6"											
A1017	3	#10	14'-11"	3		4'-8"	1'-4 1/2"	2'-9 1/2"	1'-4 1/2"	4'-8"	1'-10"	1'-0"	1'-0"	1'-0"	1'-8"	1'-0"	14'-1 1/2"
A1024	5	#10	18'-7"	3		4'-8"	2'-4 1/2"	4'-6 1/2"	2'-4 1/2"	4'-8"							17'-2 1/2"
A1036	12	#10	32'-11"	2	1'-10"	31'-1"											
A1037	61	#10	40'-0"	2	1'-10"	38'-2"											
A1057	13	#10	17'-9"	2	1'-10"	15'-11"											
A1058	13	#10	8'-9"	2	1'-10"	6'-11"											
A1059	43	#10	26'-6"	2	1'-10"	24'-8"											
A1060	35	#10	32'-5"	2	1'-10"	30'-7"											
A10101	7	#10	19'-0 1/2"	2	1'-10"	15'-4 1/2"											
A10107	2	#10	18'-3"	22		4'-8"	1'-10"	5'-3"	1'-10"	4'-8"	1'-10"	1'-3 1/2"	1'-3 1/2"	1'-3 1/2"	1'-3 1/2"	17'-2"	
A10108	2	#10	17'-10 1/2"	22		4'-8"	1'-10"	6'-2 1/2"	1'-2"	4'-8"	0'-10"	0'-10"	0'-10"	0'-10"	0'-10"	17'-2"	
A10109	2	#10	18'-8 1/2"	22		4'-8"	1'-10"	7'-1 1/2"	1'-1 1/2"	4'-8"	0'-4 1/2"	0'-4 1/2"	0'-4 1/2"	0'-4 1/2"	0'-4 1/2"	18'-6 1/2"	
A10110	2	#10	15'-4"	22		4'-8"	1'-10"	6'-4 1/2"	3'-9 1/2"	1'-1 1/2"	4'-8"	0'-6"	0'-6"	0'-6"	0'-6"	15'-1"	
A10111	7	#10	41'-9"	2	1'-10"	39'-1"											
A10113	2	#10	35'-9"	2	1'-10"	34'-1"											
A10115	25	#10	31'-1"	2	1'-10"	29'-7"											
A10116	25	#10	36'-3"	2	1'-10"	34'-7"											

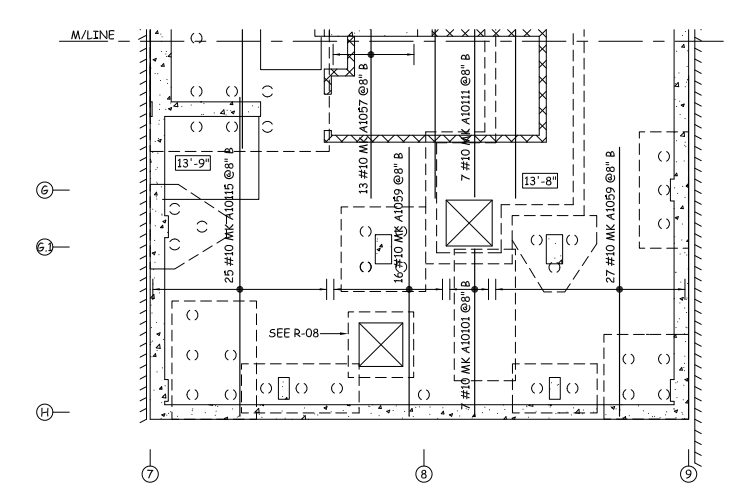
Bar list produced by RebarCAD 2018



SECTION E1-E1
SCALE: 1/4" = 1'-0"

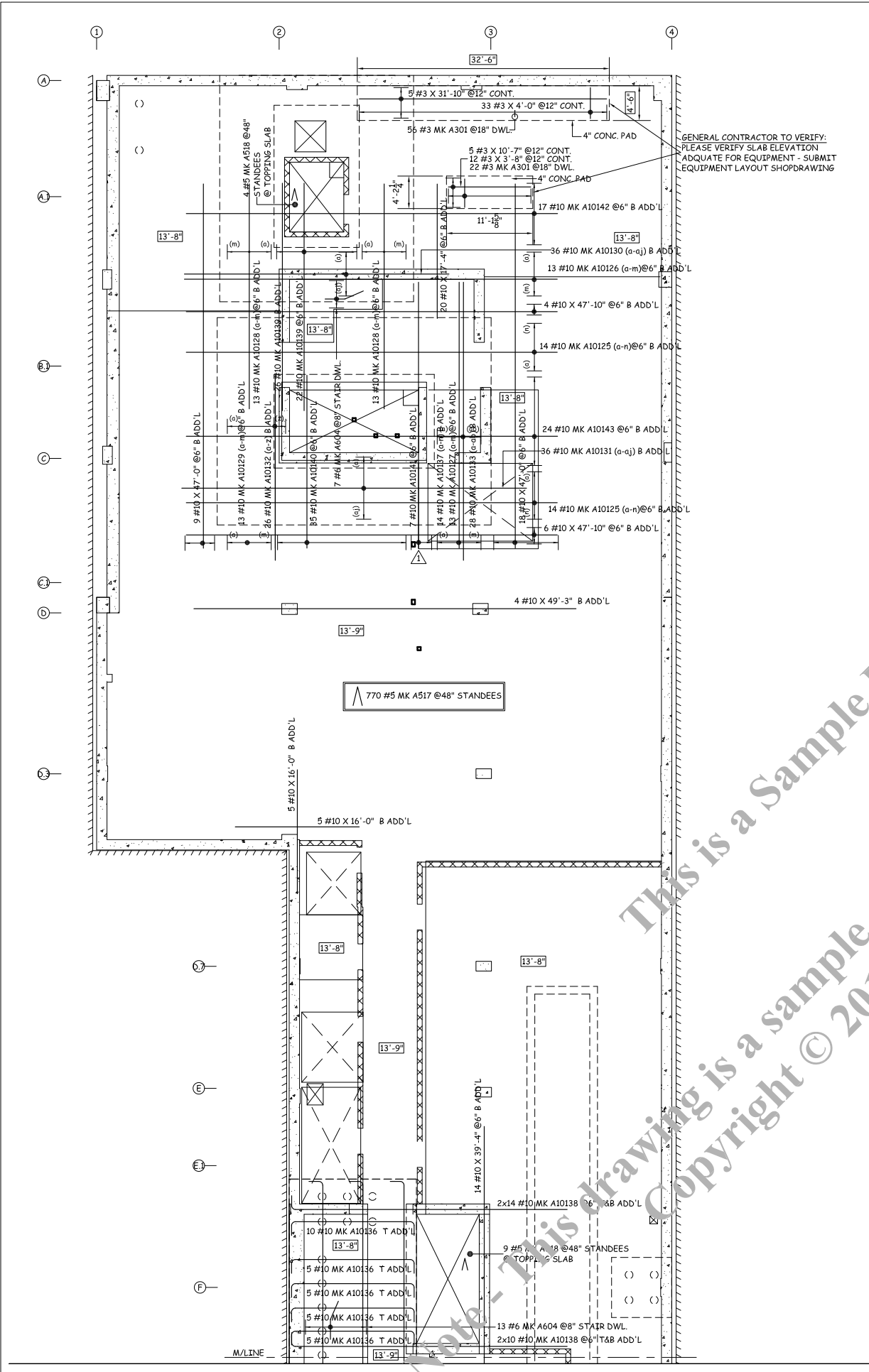


SECTION E2-E2
SCALE: 1/4" = 1'-0"



MAT FOUNDATION - PART II
N-S BOTTOM BAR ARRANGEMENT
SCALE: 1/8" = 1'-0"

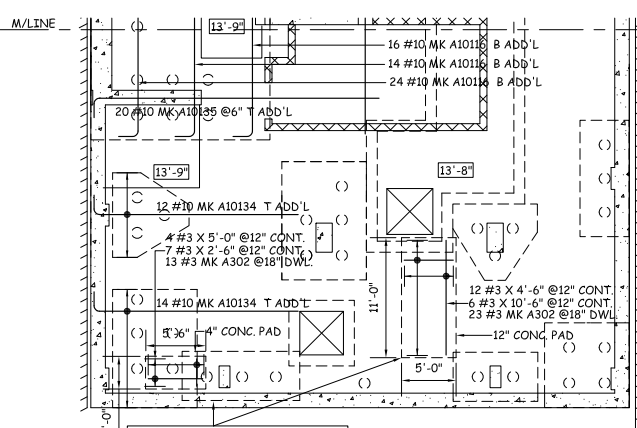
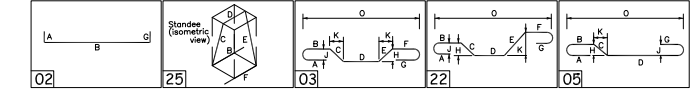
This is a Sample Drawing for Foundation. This cannot use for commercial purpose. All rights reserved. Copyright © 2018 Quantum Engineering



MAT FOUNDATION
ADDITIONAL BAR ARRANGEMENT
SCALE: 1/8" = 1'-0"

Drawing Sheet: R-05

BENDING DETAILS																
Bar Mark	Qty	Size	Total Length	Type	'A'	'B'	'C'	'D'	'E'	'F'	'G'	'H'	'J'	'K'	'O'	'R'
A301	78	#3	11'-3 1/2"	2	0'-6"	0'-9 1/2"										
A302	36	#3	11'-7 1/2"	2	0'-6"	1'-1 1/2"										
A517	770	#5	8'-8 1/2"	25	1'-6"	2'-6 1/2"	0'-8"	2'-5 1/2"	1'-6"			2'-5 1/2"		1'-2 1/2"		
A518	13	#5	6'-10 1/2"	25	1'-6"	1'-7 1/2"	0'-8"	1'-7 1/2"	1'-6"			1'-6 1/2"		0'-9 1/2"		
A504	20	#6	5'-1 1/2"	3	2'-7"	2'-6 1/2"						1'-1"		2'-4"	4'-11"	
A10116	54	#10	36'-3"	2	1'-10"	32'-7"						1'-10"				
A10125a	2	#10	53'-8 1/2"	3	4'-1"	10'-0 1/2"	20'-10 1/2"	10'-0 1/2"	8'-8"			7'-1 1/2"		7'-1 1/2"	47'-30"	
A10125n	2	#10	48'-3 1/2"	3	4'-1"	1'-4 1/2"	13'-11 1/2"	1'-4 1/2"	8'-8"			0'-11 1/2"		0'-11 1/2"	47'-10 1/2"	
A10126a	1	#10	53'-8 1/2"	3	4'-5"	9'-4 1/2"	1'-6"	9'-4 1/2"	18'-8"			6'-7 1/2"		6'-7 1/2"	47'-10 1/2"	
A10126m	1	#10	49'-3 1/2"	3	4'-8"	1'-4 1/2"	23'-2 1/2"	1'-4 1/2"	18'-8"			0'-11 1/2"		0'-11 1/2"	48'-6"	
A10127a	1	#10	34'-10 1/2"	3	3'-1"	11'	24'-11 1/2"	1'-1"	4'-8"			0'-9 1/2"		0'-9 1/2"	34'-3"	
A10127m	1	#10	39'-6 1/2"	3	3'-1"	9'	13'-9 1/2"	9'-0"	4'-8"			6'-4 1/2"		6'-4 1/2"	34'-3 1/2"	
A10128a	2	#10	29'-11 1/2"	22	10'-5 1/2"	1'-1 1/2"	2'-1 1/2"	1'-1 1/2"	14'-8 1/2"			0'-9 1/2"		0'-9 1/2"	29'-4"	
A10128m	2	#10	34'-7"	22	9'-0 1/2"	1'-1 1/2"	2'-3 1/2"	9'-0 1/2"	9'-0 1/2"			6'-4 1/2"		6'-4 1/2"	29'-3 1/2"	
A10129a	1	#10	22'-7"	5	1'-1"	1'-1"	18'-5"					0'-9 1/2"		0'-9 1/2"	22'-3 1/2"	
A10129m	1	#10	24'-10 1/2"	5	1'-1"	9'-0"	12'-9 1/2"					6'-4 1/2"		6'-4 1/2"	22'-3 1/2"	
A10130a	1	#10	39'-7 1/2"	3	4'-8"	9'-4 1/2"	11'-6"	9'-4 1/2"	4'-8"			6'-7 1/2"		6'-7 1/2"	34'-1 1/2"	
A10130j	1	#10	35'-3 1/2"	3	4'-8"	1'-4 1/2"	23'-2 1/2"	1'-4 1/2"	4'-8"			0'-11 1/2"		0'-11 1/2"	34'-6"	
A10131a	1	#10	50'-3 1/2"	3	4'-8"	10'-0 1/2"	20'-10 1/2"	10'-0 1/2"	4'-8"			7'-1 1/2"		7'-1 1/2"	44'-5"	
A10131j	1	#10	45'-2 1/2"	3	4'-8"	1'-4 1/2"	33'-1 1/2"	1'-4 1/2"	4'-8"			0'-11 1/2"		0'-11 1/2"	44'-5 1/2"	
A10132a	1	#10	24'-2"	2	4'-8"	1'-1"	18'-5"					0'-9 1/2"		0'-9 1/2"	23'-10 1/2"	
A10132z	1	#10	26'-0 1/2"	5	4'-8"	9'-0"	12'-9 1/2"	9'-0"	4'-8"			6'-4 1/2"		6'-4 1/2"	23'-10 1/2"	
A10133a	1	#10	30'-0 1/2"	3	4'-8"	1'-1"	24'-11 1/2"	1'-1"	4'-8"			0'-9 1/2"		0'-9 1/2"	35'-30"	
A10133ab	1	#10	41'-1 1/2"	3	4'-8"	9'-0"	13'-9 1/2"	9'-0"	4'-8"			6'-4 1/2"		6'-4 1/2"	35'-10 1/2"	
A10134	26	#10	20'-7"	2	1'-10"	18'-9"										
A10135	20	#10	28'-0"	2	1'-10"	26'-2"										
A10136	30	#10	19'-7"	2	1'-10"	15'-11"						1'-10"		0'-9 1/2"	34'-3"	
A10137a	1	#10	34'-10 1/2"	3	3'-1"	1'-1"	24'-11 1/2"	1'-1"	4'-8"			0'-9 1/2"		0'-9 1/2"	34'-3"	
A10137n	1	#10	39'-6 1/2"	3	3'-1"	9'-0"	13'-9 1/2"	9'-0"	4'-8"			6'-4 1/2"		6'-4 1/2"	34'-3 1/2"	
A10138	18	#10	35'-7"	2	1'-10"	35'-7"						7'-0"		7'-4"	29'-3 1/2"	
A10139	48	#10	35'-8"	22	4'-8"	9'-10 1/2"	2'-3"	10'-4 1/2"	8'-1"			7'-4"		7'-4"	22'-3 1/2"	
A10140	9	#10	29'-3 1/2"	5	1'-10"	26'-2"						7'-4"		7'-4"	22'-3 1/2"	
A10141	7	#10	40'-4"	3	3'-1"	10'-4 1/2"	11'-10 1/2"	10'-4 1/2"	4'-8"			7'-4"		7'-4"	34'-3 1/2"	
A10142	17	#10	53'-8"	3	4'-5"	9'-10 1/2"	10'-9 1/2"	9'-10 1/2"	18'-8"			7'-0"		7'-0"	47'-10 1/2"	
A10143	24	#10	53'-11"	3	4'-1"	10'-4 1/2"	20'-5 1/2"	10'-4 1/2"	8'-8"			7'-4"		7'-4"	47'-10 1/2"	

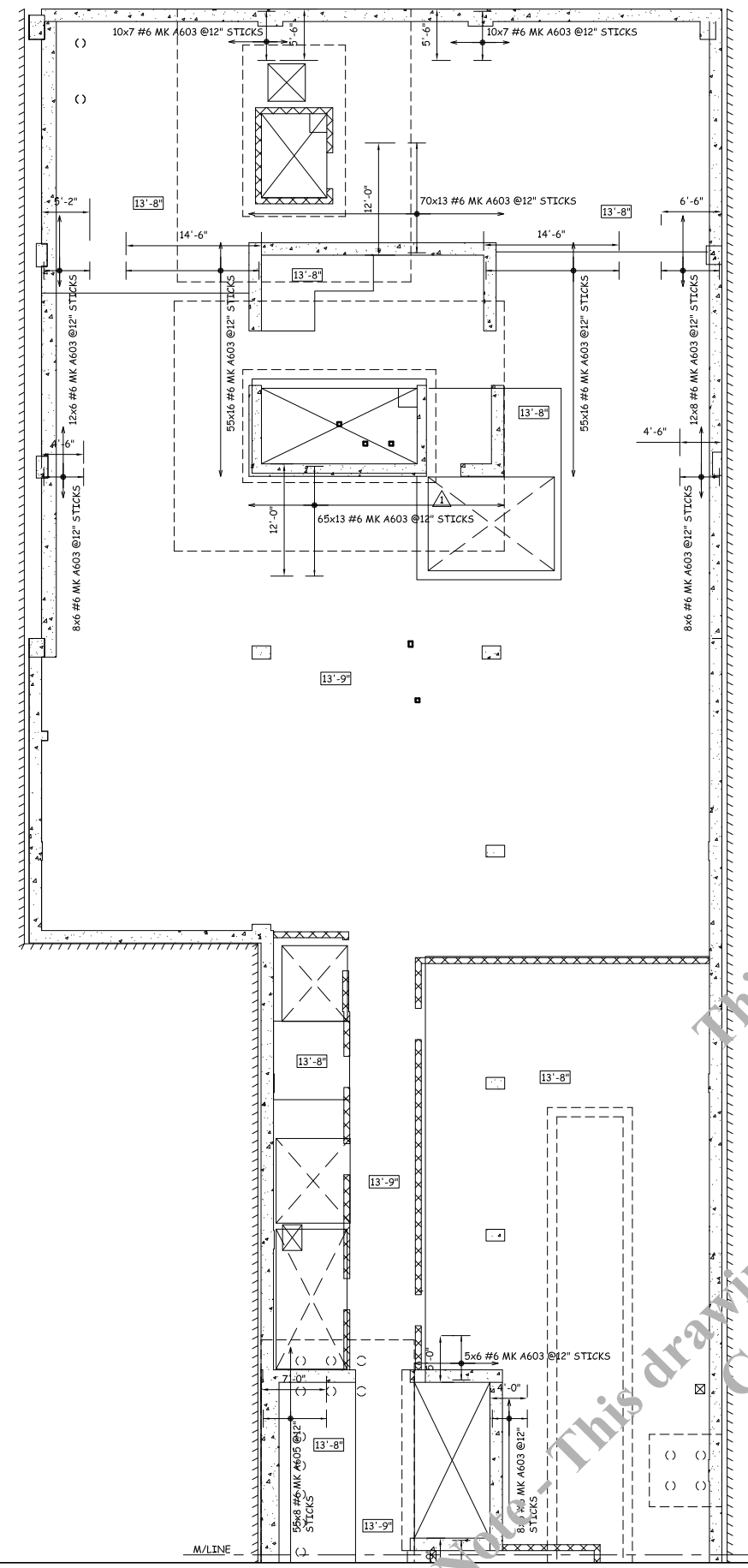
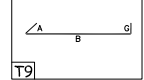


MAT FOUNDATION - PART II
ADDITIONAL BAR ARRANGEMENT
SCALE: 1/8" = 1'-0"

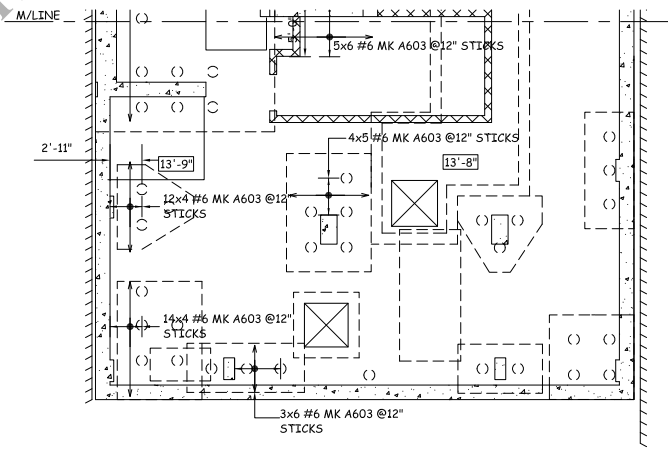
This is a Sample Drawing for Foundation.
This drawing is a sample drawing only & this cannot use for Commercial Purpose.
Copyright © 2018 Quantum Engineering All rights reserved.

Drawing Sheet - R-06				BENDING DETAILS												
Bar Mark	Qty	Size	Total Length	Type	'A'	'B'	'C'	'D'	'E'	'F'	'G'	'H'	'J'	'K'	'O'	'R'
A603	4161	#6	4'-4"	T9	0'-8"	2'-8"									1'-0"	
A605	440	#6	5'-8"	T9	0'-8"	4'-0"									1'-0"	

Bar list produced by RebarCAD 2018



MAT FOUNDATION
SHEAR REINFORCING
SCALE: 1/8" = 1'-0"

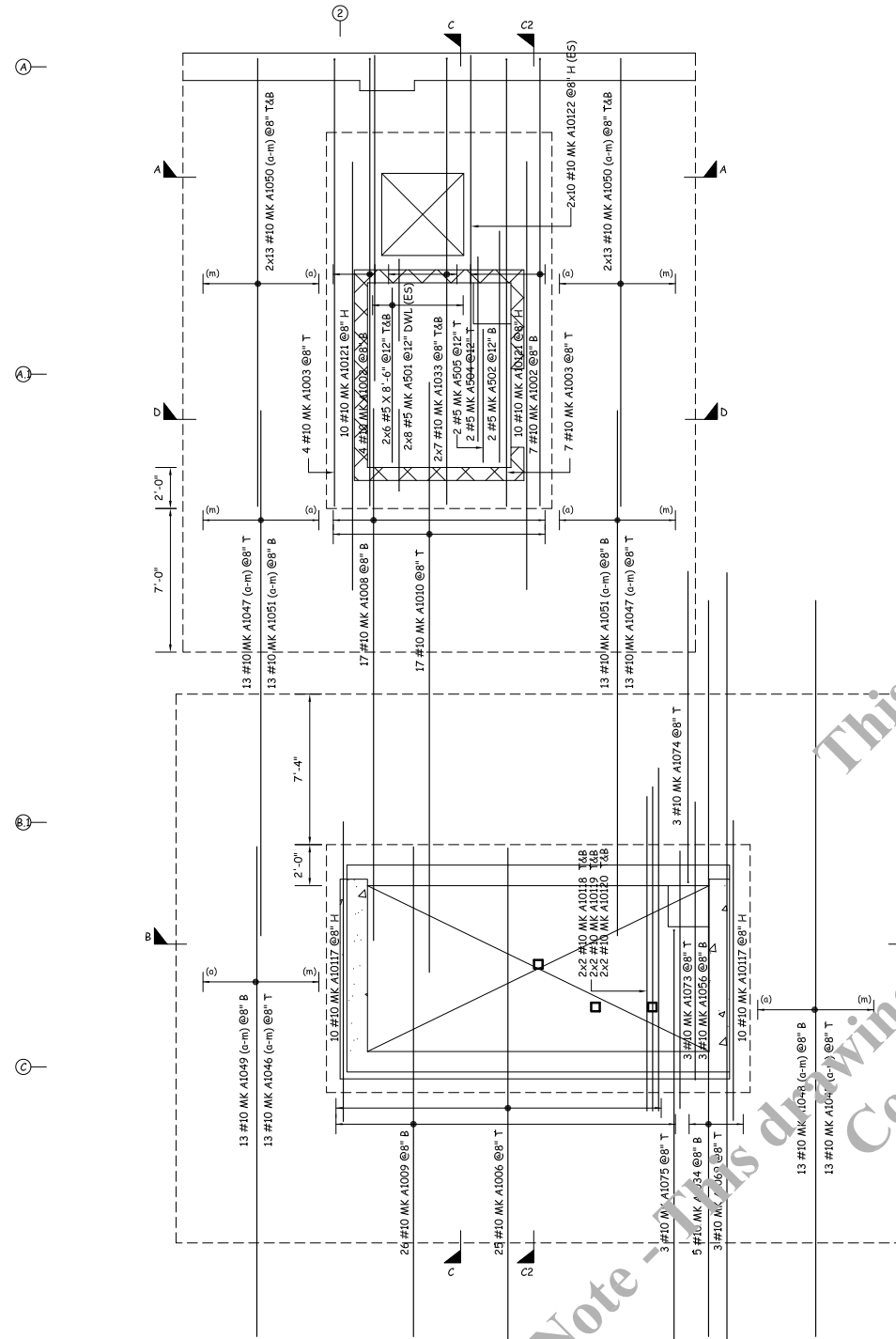


MAT FOUNDATION - PART II
SHEAR REINFORCING
SCALE: 1/8" = 1'-0"

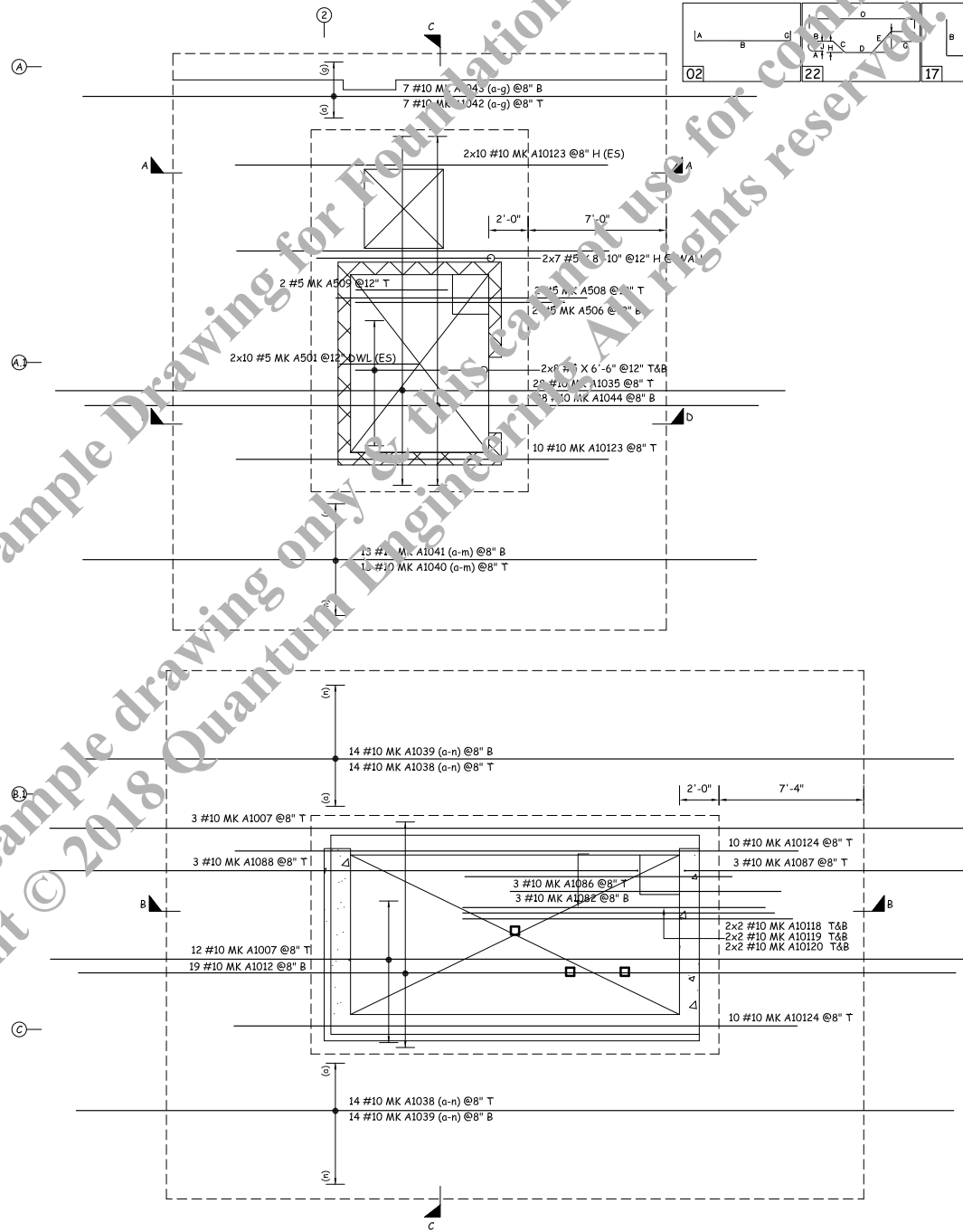
This is a Sample Drawing for Foundation.
This drawing is a sample drawing only & this cannot use for commercial purpose.
Copyright © 2018 Quantum Engineering All rights reserved.

BENDING DETAILS					A'	B'	C'	D'	E'	F'	G'	H'	J'	K'	L'	R'
A501	16	#5	4'-10"	3	0'-10"	4'-0"										
A502	2	#5	12'-9"	22		3'-0"	2'-9"	3'-9"	2'-4"			2'-0"	1'-8"	11'-2"		
A504	2	#5	9'-11"	22		2'-10"	2'-9"	3'-8"	0'-7"			2'-0"	0'-5"	8'-11"		
A505	2	#5	10'-3"	17		3'-8"	6'-4"									
A506	2	#5	12'-2"	3		1'-10"	2'-9"	3'-9"	2'-9"	0'-11"		2'-0"	2'-0"	10'-7"		
A508	2	#5	14'-4"	3		2'-10"	2'-9"	3'-9"	2'-9"	2'-1"		2'-0"	2'-0"	12'-8"		
A509	2	#5	11'-4"	17		3'-8"	6'-4"									
A1002	11	#10	26'-6"	27		12'-9"	9'-10"	12'-9"			1'-10"	7'-0"	7'-0"	21'-10"		
A1003	11	#10	26'-6"	4	1'-10"	2'-0"	9'-10"	12'-9"				7'-0"	7'-0"	21'-10"		
A1006	15	#10	28'-3"	5		11'-10"	10'-4"	6'-1"				7'-4"	25'-3"			
A1007	15	#10	53'-4"	3		6'-1"	10'-4"	20'-5"	10'-4"	6'-1"		7'-4"	47'-3"			
A1008	17	#10	31'-10"	22		4'-8"	9'-10"	2'-3"	10'-4"	4'-8"		7'-0"	7'-4"	25'-10"		
A1009	16	#10	28'-10"	5		11'-10"	10'-4"	4'-8"				7'-4"	23'-10"			
A1010	17	#10	34'-8"	22		6'-1"	9'-10"	2'-3"	10'-4"	6'-1"		7'-4"	28'-8"			
A1012	19	#10	50'-6"	3		4'-8"	10'-4"	20'-5"	10'-4"	4'-8"		7'-4"	44'-5"			
A1013	14	#10	23'-8"	14	1'-10"	3'-8"	18'-1"					3'-8"	21'-0"			
A1014	5	#10	41'-11"	3		4'-8"	10'-4"	11'-10"	10'-4"	4'-8"		7'-4"	38'-10"			
A1015	28	#10	42'-9"	3		6'-1"	9'-10"	10'-9"	9'-10"	6'-1"		7'-0"	36'-11"			
A1038a	2	#10	53'-1"	3		6'-1"	10'-0"	20'-10"	10'-0"	6'-1"		7'-1"	47'-3"			
A1038b	2	#10	48'-0"	3		6'-1"	1'-4"	33'-1"	1'-4"	6'-1"		0'-11"	47'-3"			
A1039a	2	#10	50'-3"	3		4'-8"	10'-0"	20'-10"	10'-0"	4'-8"		7'-1"	44'-5"			
A1039b	2	#10	48'-0"	3		6'-1"	1'-4"	33'-1"	1'-4"	6'-1"		0'-11"	47'-3"			
A1039c	2	#10	45'-2"	3		4'-8"	1'-4"	33'-1"	1'-4"	4'-8"		0'-11"	44'-5"			
A1040a	1	#10	42'-5"	3		6'-1"	9'-4"	11'-4"	9'-4"	6'-1"		6'-7"	36'-11"			
A1040b	1	#10	38'-1"	3		6'-1"	1'-4"	23'-2"	1'-4"	6'-1"		0'-11"	37'-4"			
A1041a	1	#10	39'-7"	3		4'-8"	9'-4"	11'-4"	9'-4"	4'-8"		6'-7"	34'-1"			
A1041b	1	#10	35'-3"	3		4'-8"	1'-4"	23'-2"	1'-4"	4'-8"		0'-11"	34'-6"			
A1042a	1	#10	42'-9"	3		6'-1"	9'-10"	10'-9"	9'-10"	6'-1"		7'-0"	36'-11"			
A1042b	1	#10	40'-0"	3		6'-1"	5'-4"	17'-1"	5'-4"	6'-1"		3'-9"	36'-11"			
A1043a	1	#10	39'-11"	3		4'-8"	9'-10"	10'-9"	9'-10"	4'-8"		7'-0"	34'-1"			
A1043b	1	#10	37'-2"	3		4'-8"	5'-4"	17'-1"	5'-4"	4'-8"		3'-9"	34'-1"			
A1044	28	#10	39'-11"	3		4'-8"	9'-10"	10'-9"	9'-10"	4'-8"		7'-0"	34'-1"			

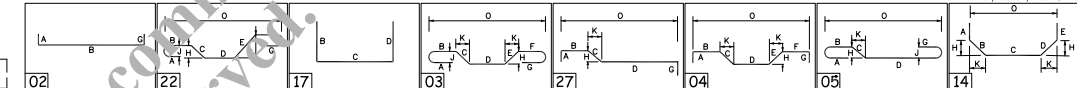
BENDING DETAILS					A'	B'	C'	E'	F'	G'	H'	J'	K'	L'	O'	R'
A1045a	1	#10	39'-3"	3		6'-1"	1'-1"	24'-11"	1'-1"	6'-1"						
A1045b	1	#10	41'-1"	3		4'-8"	9'-0"	13'-9"	9'-0"	4'-8"						
A1046a	1	#10	27'-0"	5		6'-1"	1'-1"	24'-11"	1'-1"	4'-8"						
A1046b	1	#10	29'-3"	5		6'-1"	9'-0"	14'-2"	9'-0"	6'-1"						
A1047a	2	#10	29'-4"	22		12'-4"	1'-1"	2'-3"	1'-1"	12'-8"						
A1047b	2	#10	34'-0"	22		6'-8"	9'-0"	2'-3"	9'-0"	7'-0"						
A1048a	1	#10	36'-5"	3		4'-8"	1'-1"	24'-11"	1'-1"	4'-8"						
A1048b	1	#10	41'-1"	3		4'-8"	9'-0"	13'-9"	9'-0"	4'-8"						
A1049a	1	#10	24'-2"	5		4'-8"	1'-1"	18'-9"	1'-1"	4'-8"						
A1049b	1	#10	26'-5"	5		4'-8"	9'-0"	12'-9"	9'-0"	4'-8"						
A1050a	4	#10	23'-11"	27		13'-1"	1'-1"	1'-11"	1'-1"	1'-10"						
A1050b	4	#10	26'-3"	27		13'-1"	9'-0"	2'-0"	9'-0"	1'-10"						
A1051a	2	#10	28'-6"	22		6'-1"	1'-1"	2'-3"	1'-1"	11'-3"						
A1051b	2	#10	31'-2"	22		5'-3"	9'-0"	2'-3"	9'-0"	5'-7"						
A1052	3	#10	19'-8"	22		4'-8"	1'-3"	3'-9"	9'-11"							
A1053	3	#10	44'-9"	3		6'-1"	10'-4"	11'-10"	10'-4"	6'-1"						
A1073	3	#10	13'-4"	3		5'-1"	2'-9"	5'-5"	5'-5"							
A1074	3	#10	21'-10"	27		6'-1"	10'-4"	1'-9"								
A1075	3	#10	28'-0"	27		6'-1"	10'-4"	7'-10"								
A1082	3	#10	15'-11"	27		4'-8"	1'-4"	3'-9"	6'-0"							
A1086	3	#10	14'-4"	27		6'-1"	2'-9"	5'-5"								
A1087	3	#10	20'-0"	27		6'-1"	10'-4"	1'-9"								
A1088	3	#10	36'-6"	27		6'-1"	10'-4"	16'-5"								
A1011	20	#10	15'-0"	3		1'-9"	11'-10"	1'-9"								
A1011b	8	#10	16'-5"	22		6'-1"	2'-0"	6'-0"	1'-10"							
A1019	8	#10	16'-5"	22		6'-1"	1'-4"	7'-5"	1'-10"							
A1020	8	#10	17'-5"	22		6'-1"	1'-16"	8'-4"	1'-10"							
A1021	20	#10	6'-5"	3		6'-1"	1'-9"	18'-1"	1'-9"							
A1022	20	#10	16'-5"	3		1'-9"	13'-1"	1'-9"								
A1023	20	#10	19'-5"	3		1'-9"	16'-1"	1'-9"								
A1024	20	#10	29'-5"	3		1'-9"	25'-9"	1'-9"								



ELEVATOR PIT - #1 & #2
 N-S BAR ARRANGEMENT
 SCALE: 1/4" = 1'-0"



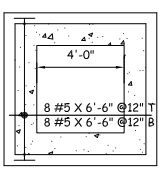
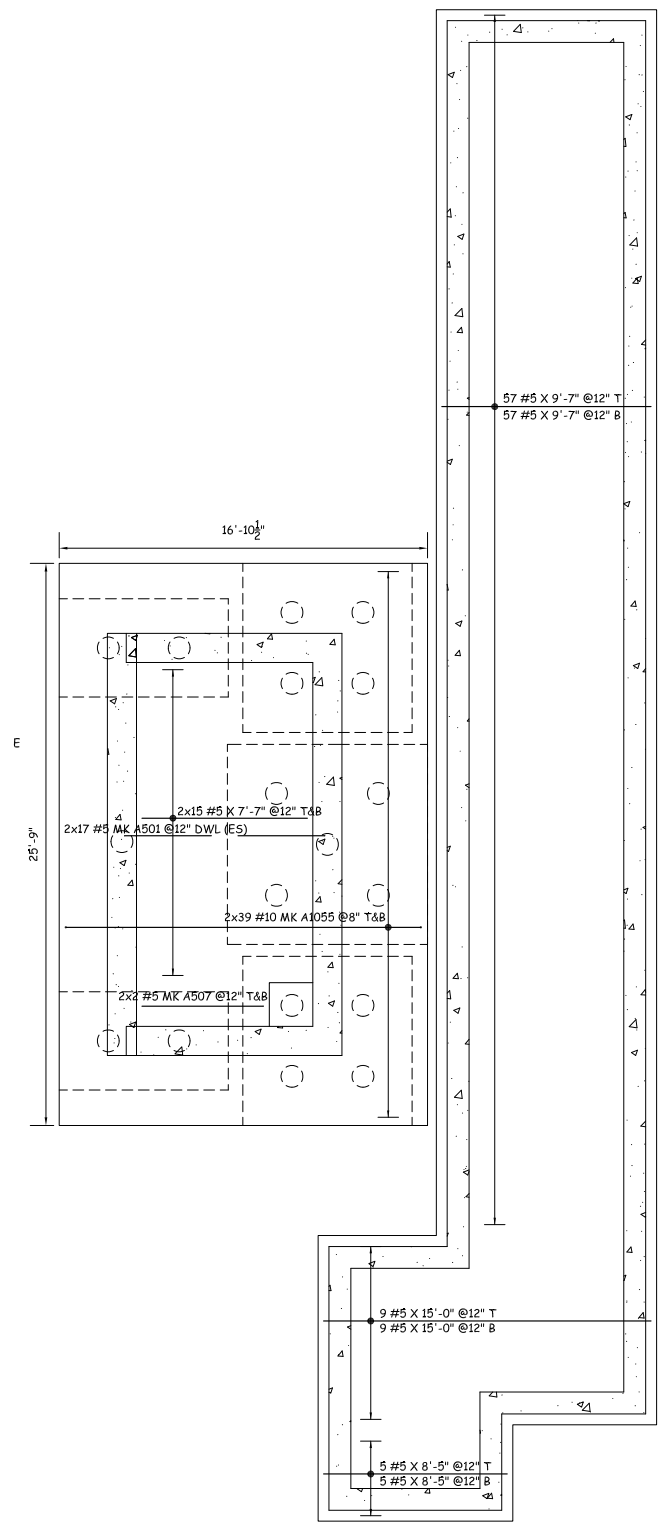
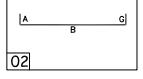
ELEVATOR PIT - #1 & #2
 E-W BAR ARRANGEMENT
 SCALE: 1/4" = 1'-0"



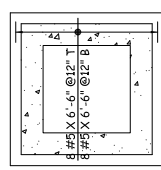
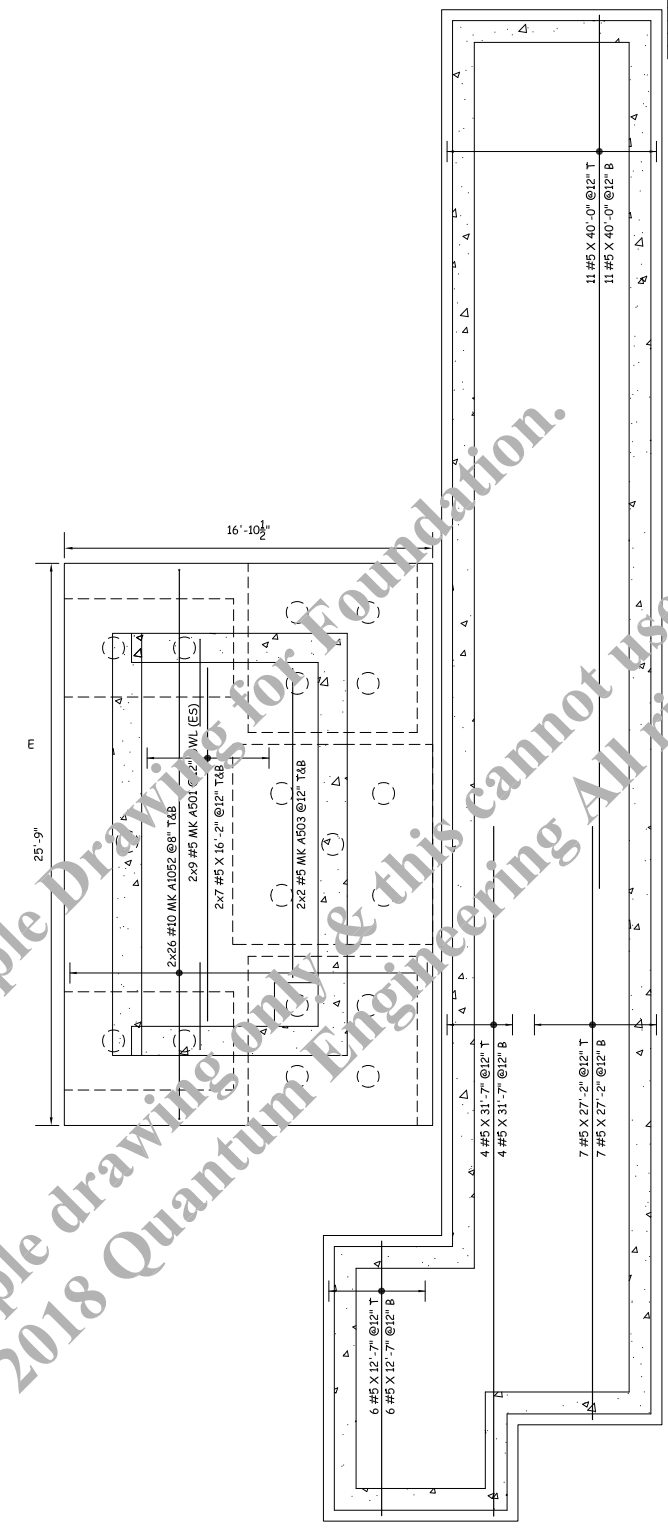
This is a Sample Drawing for Foundation. Copyright © 2018 Quantum Engineering. All rights reserved.

Drawing Sheet: R-08				BENDING DETAILS												
Bar Mark	Qty	Size	Total Length	Type	'A'	'B'	'C'	'D'	'E'	'F'	'G'	'H'	'J'	'K'	'O'	'R'
A501	B2	#5	4'-10"	2	0'-10"	4'-0"										
A503	4	#5	15'-0"	2	0'-10"	14'-2"										
A507	4	#5	6'-0"	2	0'-10"	5'-0"										
A1052	B2	#10	28'-11"	2	1'-10"	25'-3"					1'-10"					
A1055	78	#10	20'-0"	2	1'-10"	16'-4"					1'-10"					

Bar list produced by RebarCAD 2008

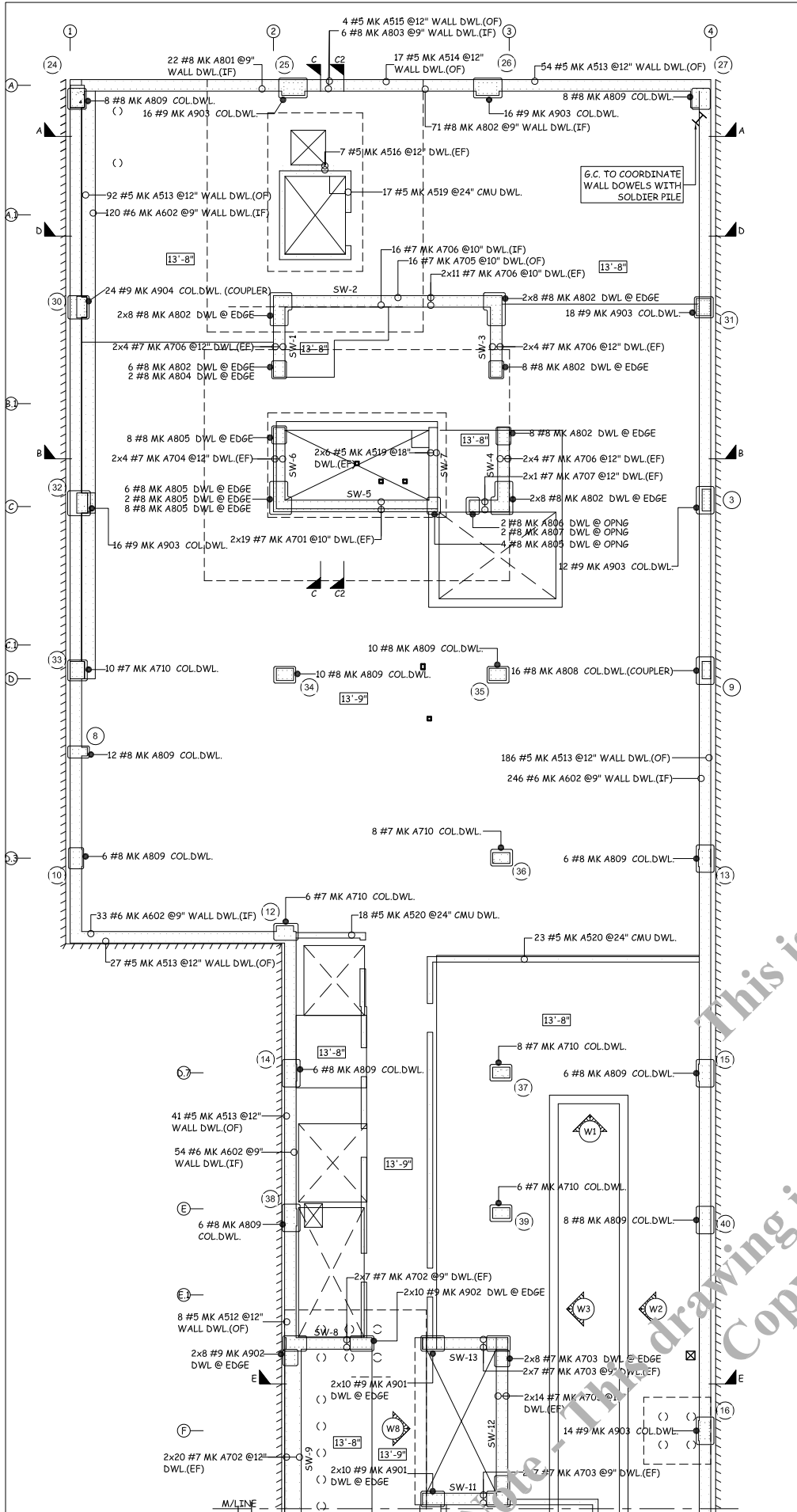


ELEV.PIT #3 & DETENTION TANK
E-W BAR ARRANGEMENT
SCALE: 1/4" = 1'-0"

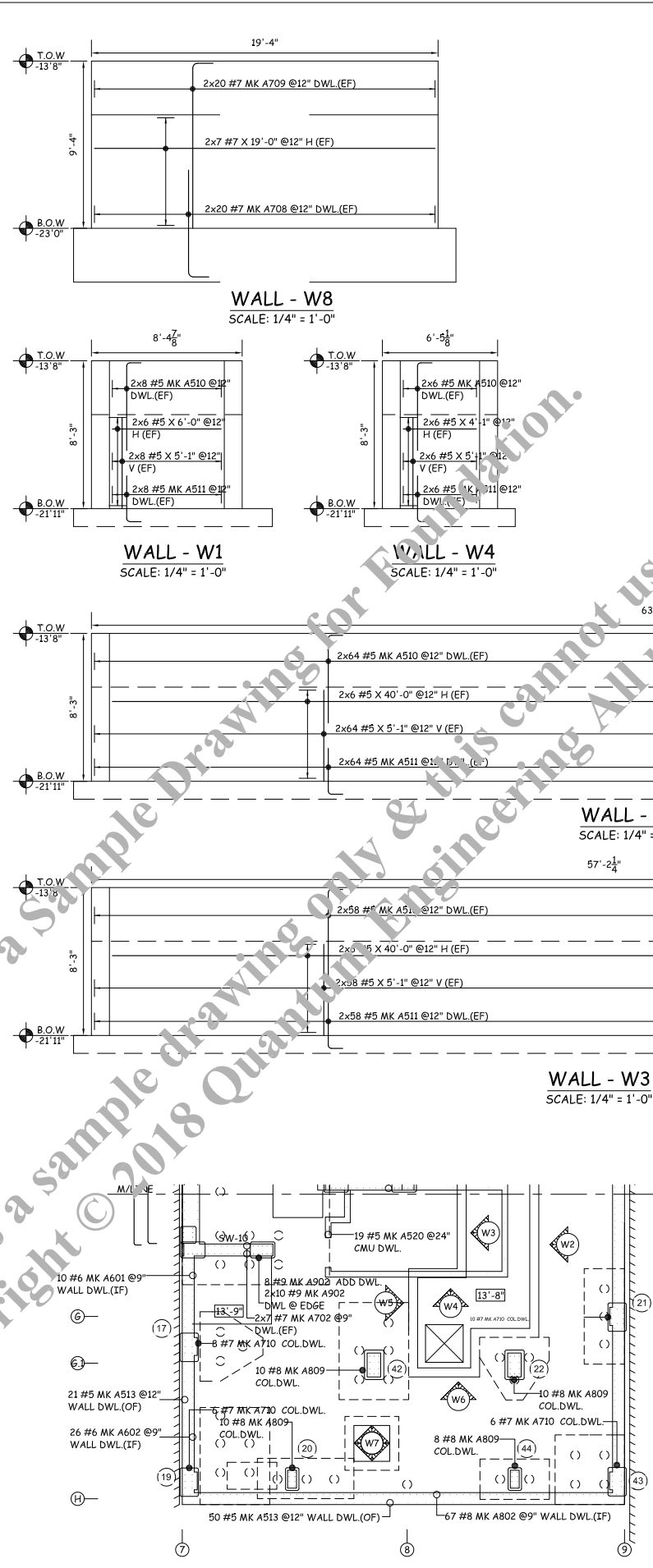


ELEV.PIT #3 & DETENTION TANK
N-S BAR ARRANGEMENT
SCALE: 1/4" = 1'-0"

This is a Sample Drawing for Foundation.
Copyright © 2018 Quantum Engineering All rights reserved.



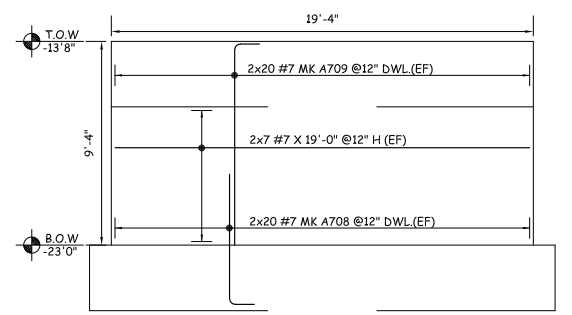
MAT FOUNDATION
DOWELS ARRANGEMENT
SCALE: 1/8" = 1'-0"



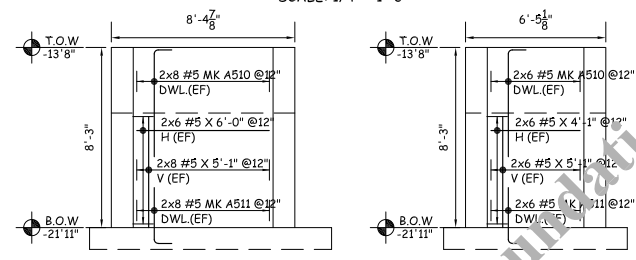
MAT FOUNDATION - PART II
DOWELS ARRANGEMENT
SCALE: 1/8" = 1'-0"

Drawing Sheet: R-09

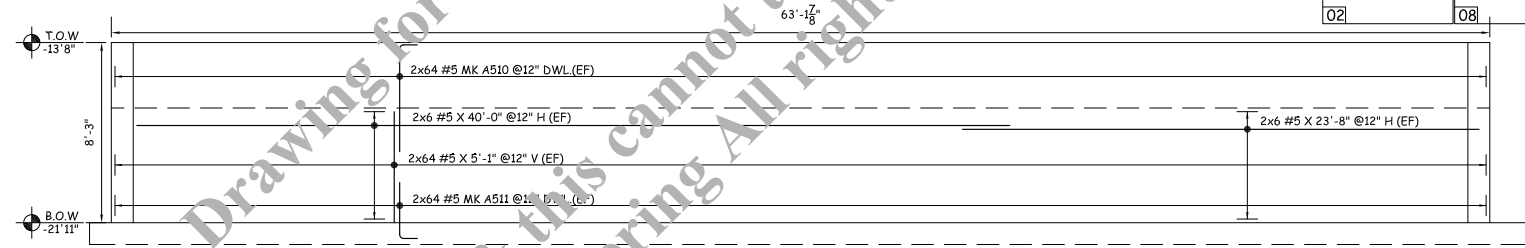
Bar Mark	Qty	Size	Total Length	Type	BENDING DETAILS																		
					'A'	'B'	'C'	'D'	'E'	'F'	'G'	'H'	'J'	'K'	'O'	'R'							
A401	105	#4	4'-11"	2	0'-8"	4'-3"																	
A510	379	#5	5'-9"	2	0'-10"	4'-11"																	
A511	379	#5	3'-8"	2	0'-10"	2'-7"																	
A512	8	#5	6'-9"	2	0'-10"	5'-11"																	
A513	471	#5	5'-3 1/2"	2	0'-10"	4'-5 1/2"																	
A514	17	#5	5'-6"	2	0'-10"	4'-8"																	
A515	4	#5	8'-10"	2	0'-10"	8'-0"																	
A516	7	#5	11'-1 1/2"	8	0'-10"	9'-5 1/2"																	
A519	29	#5	12'-7 1/2"	2	0'-10"	11'-9 1/2"																	
A520	60	#5	5'-0 1/2"	2	0'-10"	4'-2 1/2"																	
A521	12	#5	15'-11"	20	4'-10"	4'-10"	4'-5"	6'-7 1/2"															
A522	120	#5	3'-11"	2	0'-10"	2'-1 1/2"																	
A523	60	#5	5'-8"	17																			
A601	10	#6	7'-3 1/2"	2	1'-0"	6'-3 1/2"																	
A602	479	#6	5'-9 1/2"	2	1'-0"	4'-9 1/2"																	
A701	38	#7	14'-2 1/2"	2	1'-2"	13'-0 1/2"																	
A702	68	#7	8'-5 1/2"	2	1'-2"	7'-3 1/2"																	
A703	72	#7	16'-9 1/2"	2	1'-2"	15'-7 1/2"																	
A704	8	#7	14'-3 1/2"	2	1'-2"	13'-1 1/2"																	
A705	16	#7	8'-6"	2	1'-2"	7'-4"																	
A706	62	#7	6'-11 1/2"	2	1'-2"	5'-9 1/2"																	
A707	2	#7	7'-4 1/2"	2	1'-2"	6'-2 1/2"																	
A708	40	#7	7'-2"	2	1'-2"	6'-0"																	
A709	40	#7	7'-5"	2	1'-2"	9'-3"																	
A710	68	#7	5'-1 1/2"	2	1'-2"	4'-9 1/2"																	
A801	22	#8	7'-10"	2	1'-4"	6'-6"																	
A802	208	#8	7'-7 1/2"	2	1'-4"	6'-3 1/2"																	
A803	6	#8	12'-0"	2	1'-4"	10'-8"																	
A804	2	#8	8'-1"	2	1'-4"	6'-11"																	
A805	2	#8	14'-1 1/2"	2	1'-4"	13'-7 1/2"																	
A806	2	#8	10'-5 1/2"	2	1'-4"	9'-1 1/2"																	
A807	2	#8	8'-2 1/2"	2	1'-4"	8'-4 1/2"																	
A808	16	#8	3'-10 1/2"	2	1'-4"	2'-6 1/2"																	
A809	124	#8	6'-4 1/2"	2	1'-4"	5'-0 1/2"																	
A901	40	#9	8'-3 1/2"	2	1'-7"	6'-8 1/2"																	
A902	64	#9	9'-9 1/2"	2	1'-7"	8'-2 1/2"																	
A903	92	#9	6'-11 1/2"	2	1'-7"	5'-4 1/2"																	
A904	24	#9	4'-1 1/2"	2	1'-7"	2'-6 1/2"																	



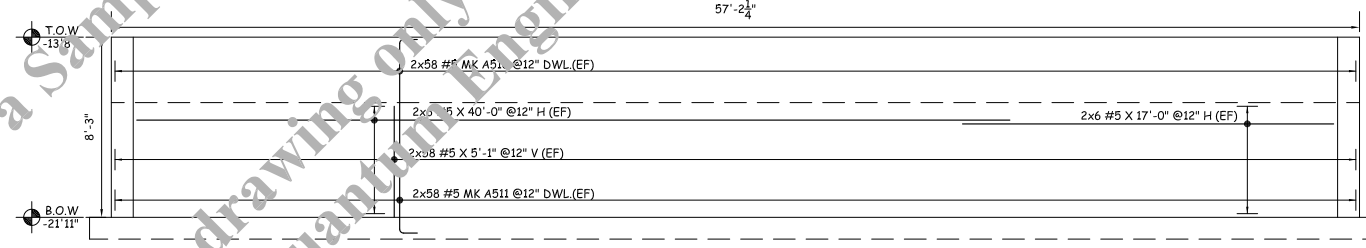
WALL - W8
SCALE: 1/4" = 1'-0"



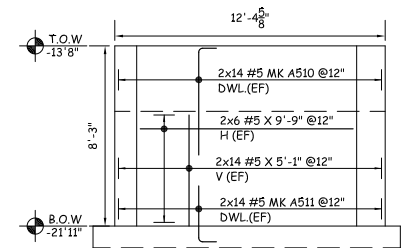
WALL - W1 SCALE: 1/4" = 1'-0"
WALL - W4 SCALE: 1/4" = 1'-0"



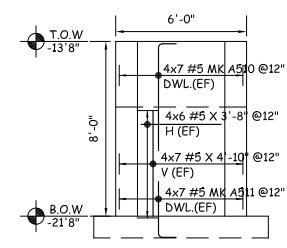
WALL - W2
SCALE: 1/4" = 1'-0"



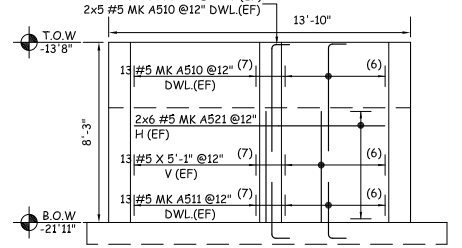
WALL - W3
SCALE: 1/4" = 1'-0"



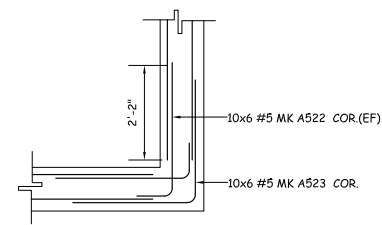
WALL - W5
SCALE: 1/4" = 1'-0"



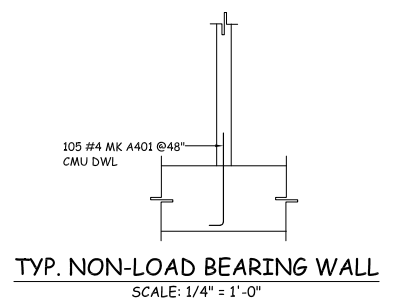
WALL - W7
SCALE: 1/4" = 1'-0"
04 LOCATIONS



WALL - W6
SCALE: 1/4" = 1'-0"

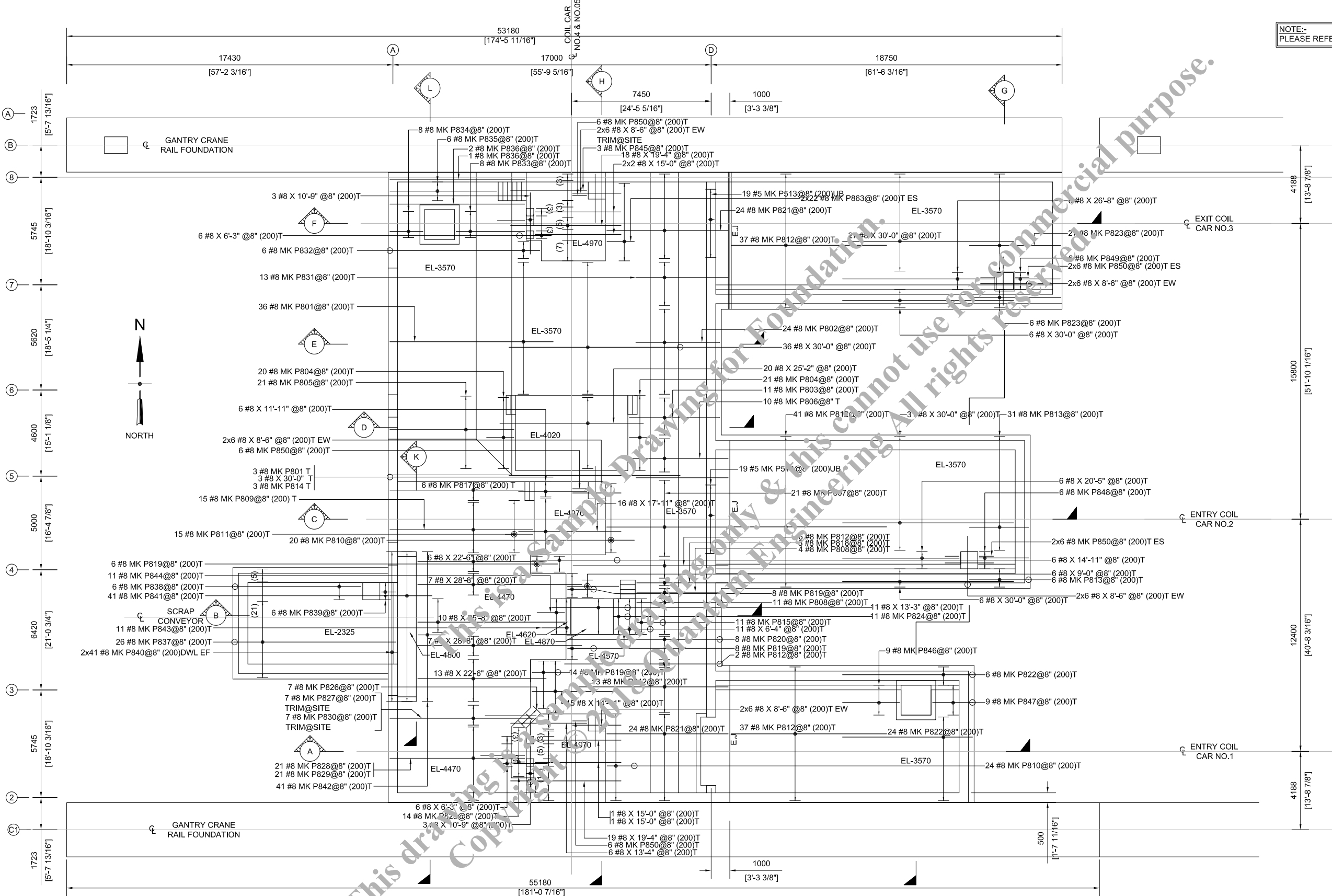


TYP. CORNER DETAIL
SCALE: 1/2" = 1'-0"
10 LOCATIONS



TYP. NON-LOAD BEARING WALL
SCALE: 1/4" = 1'-0"

NOTE:- PLEASE REFER RF-10 FOR THE BAR SCHEDULE



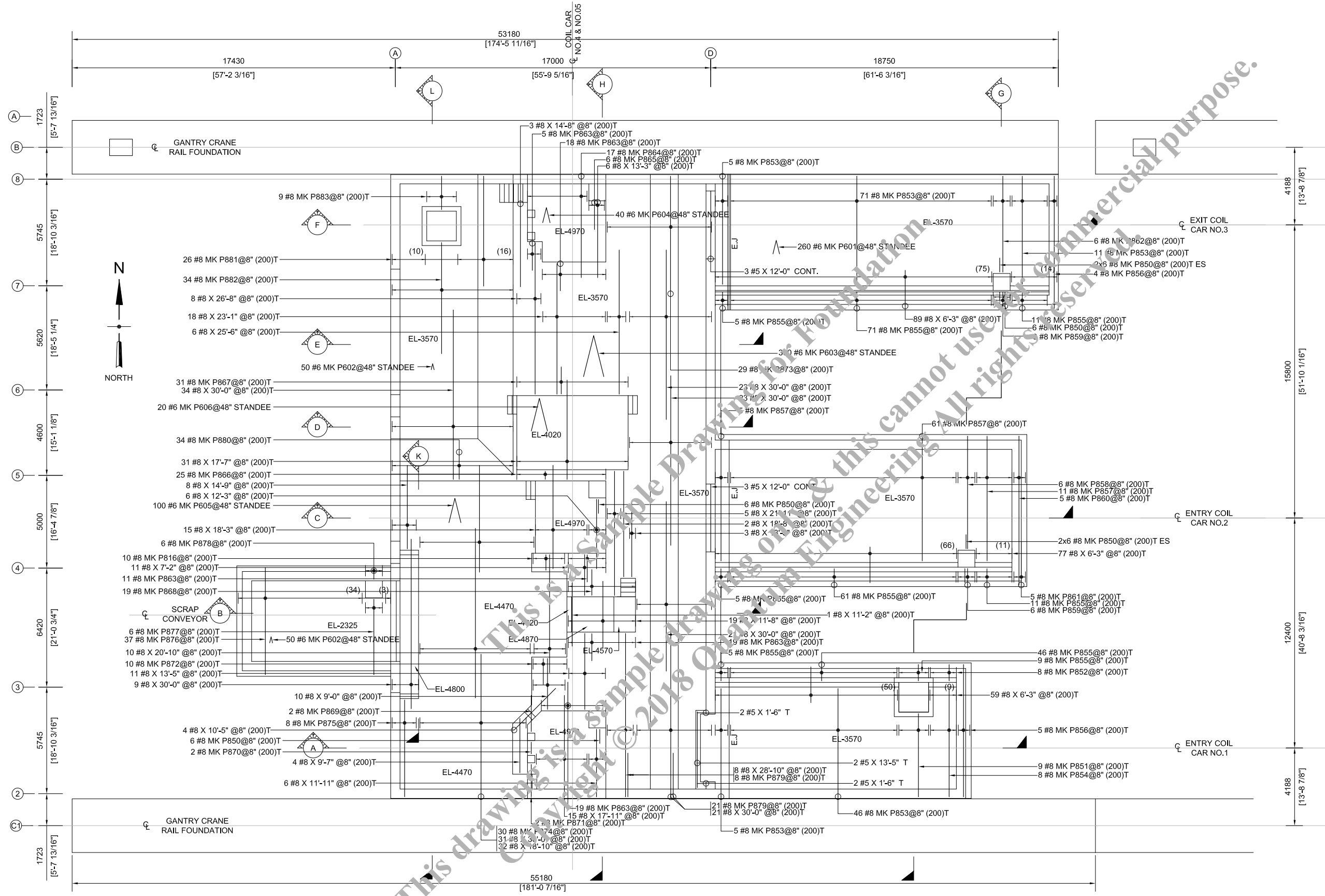
EQUIPMENT FOUNDATION - TOP BAR E-W

SCALE: 1/8" = 1'-0"
REF: 60132700-8105

LAP TABLE			
	TOP		OTHER
#3	2'-4"	#3	1'-10"
#4	3'-1"	#4	2'-5"
#5	3'-11"	#5	3'-0"
#6	4'-8"	#6	3'-7"
#7	6'-9"	#7	5'-3"
#8	7'-9"	#8	6'-0"
#9	8'-9"	#9	6'-9"
#10	9'-10"	#10	7'-7"
#11	10'-11"	#11	8'-5"

Note - This drawing is a sample drawing only & this cannot use for commercial purpose. Copyright © 2016 Quantum Engineering. All rights reserved.

NOTE:-
PLEASE REFER RF-10 FOR THE BAR SCHEDULE



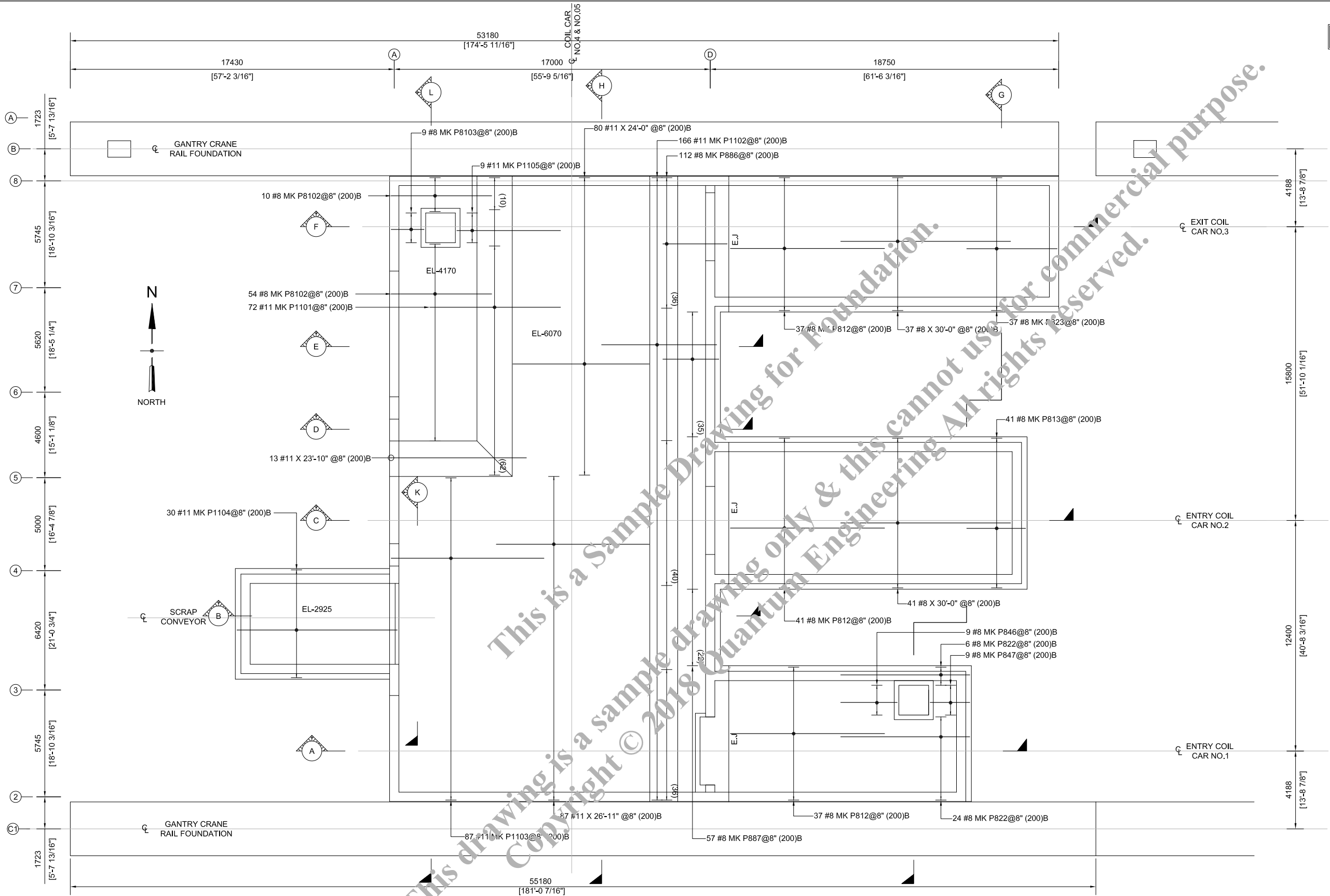
EQUIPMENT FOUNDATION - TOP BAR N-S

SCALE: 1/8" = 1'-0"
REF: 60132700-6105

LAP TABLE			
TOP		OTHER	
#3	2'-4"	#3	1'-10"
#4	3'-1"	#4	2'-5"
#5	3'-11"	#5	3'-0"
#6	4'-8"	#6	3'-7"
#7	6'-9"	#7	5'-3"
#8	7'-9"	#8	6'-0"
#9	8'-9"	#9	6'-9"
#10	9'-10"	#10	7'-7"
#11	10'-11"	#11	8'-5"

This is a Sample Drawing for Foundation and this cannot use for commercial purpose. Copyright © 2018 OpenStim Engineering All rights reserved.

NOTE:-
PLEASE REFER RF-10 FOR THE BAR SCHEDULE



This is a Sample Drawing for Foundation. This cannot be used for commercial purpose. Copyright © 2018 Quantum Engineering All rights reserved.

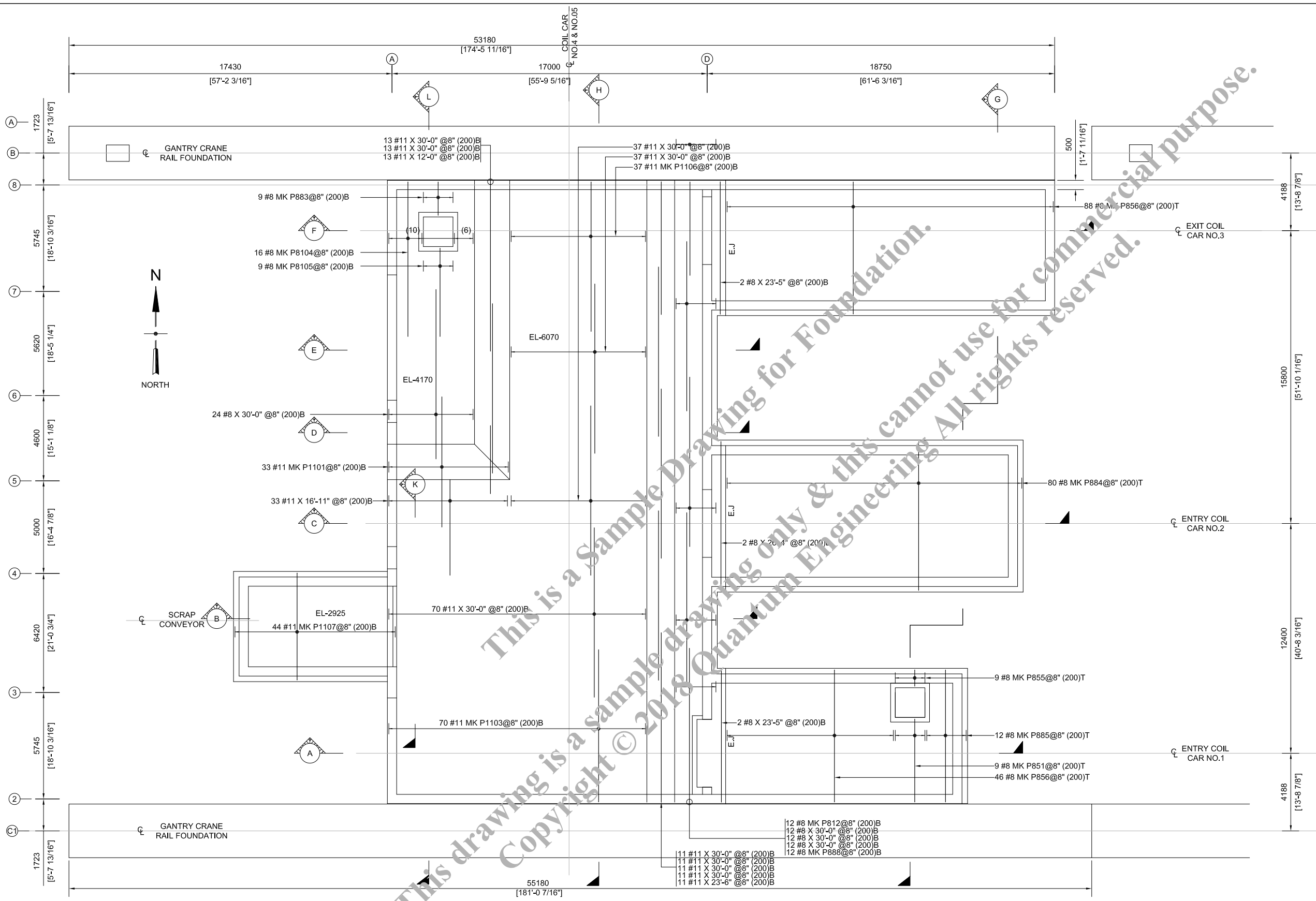
ENGINEER TO VERIFY
PLEASE VERIFY CLOUDED BAR ARRANGEMENT.

EQUIPMENT FOUNDATION - BOTTOM BAR E-W

SCALE: 1/8" = 1'-0"
REF: 60132700-6105

LAP TABLE			
TOP		OTHER	
#3	2'-4"	#3	1'-10"
#4	3'-1"	#4	2'-5"
#5	3'-11"	#5	3'-0"
#6	4'-8"	#6	3'-7"
#7	6'-9"	#7	5'-3"
#8	7'-9"	#8	6'-0"
#9	8'-9"	#9	6'-9"
#10	9'-10"	#10	7'-7"
#11	10'-11"	#11	8'-5"

NOTE:-
PLEASE REFER RF-10 FOR THE BAR SCHEDULE



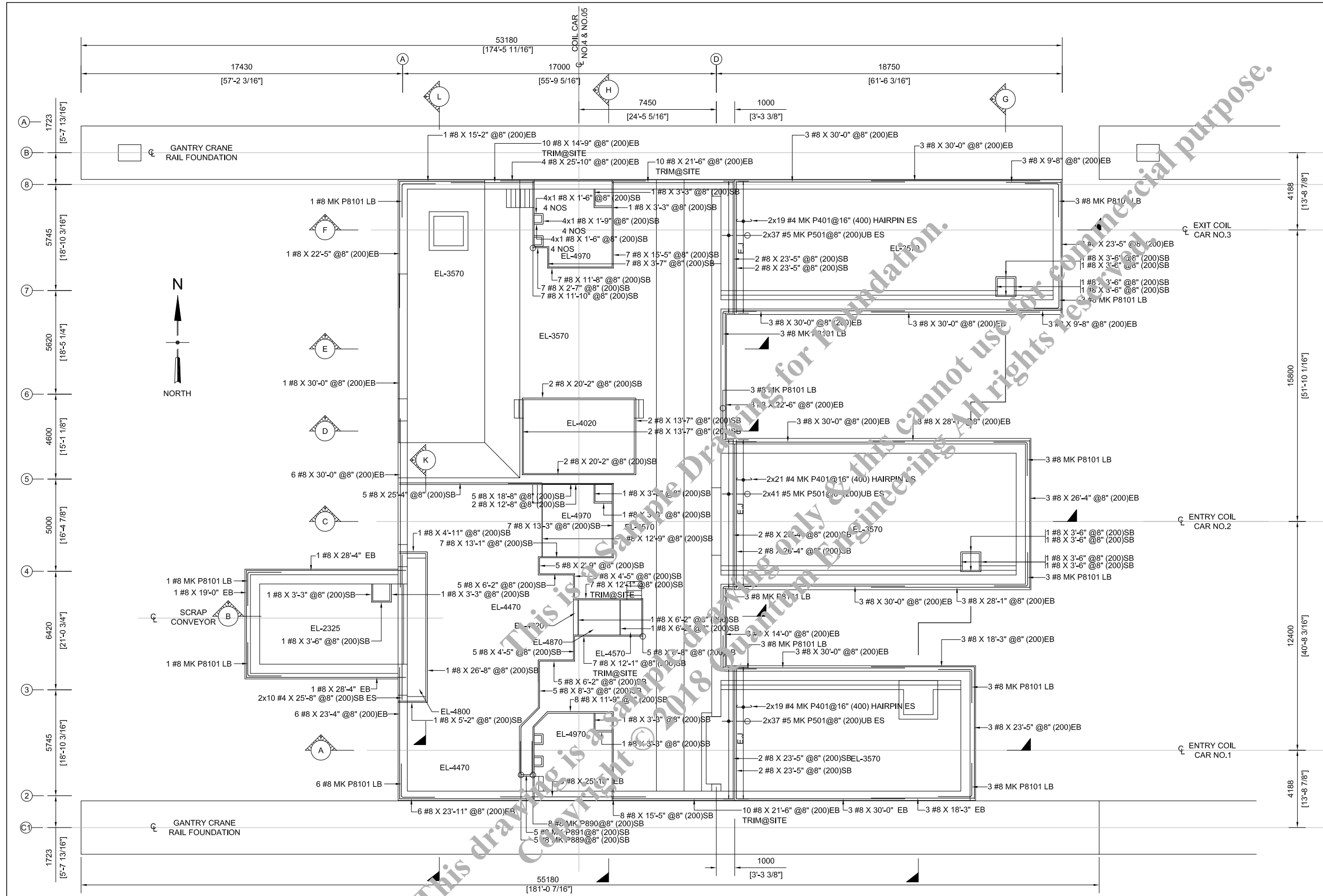
EQUIPMENT FOUNDATION - BOTTOM BAR N-S

SCALE: 1/8" = 1'-0"
REF: 60132700-6105

This is a Sample Drawing for Foundation. Copyright © 2018 Quantum Engineering. All rights reserved.

LAP TABLE			
TOP		OTHER	
#3	2'-4"	#3	1'-10"
#4	3'-1"	#4	2'-5"
#5	3'-11"	#5	3'-0"
#6	4'-8"	#6	3'-7"
#7	6'-9"	#7	5'-3"
#8	7'-9"	#8	6'-0"
#9	8'-9"	#9	6'-9"
#10	9'-10"	#10	7'-7"
#11	10'-11"	#11	8'-5"

NOTE:-
PLEASE REFER RF-10 FOR THE BAR SCHEDULE

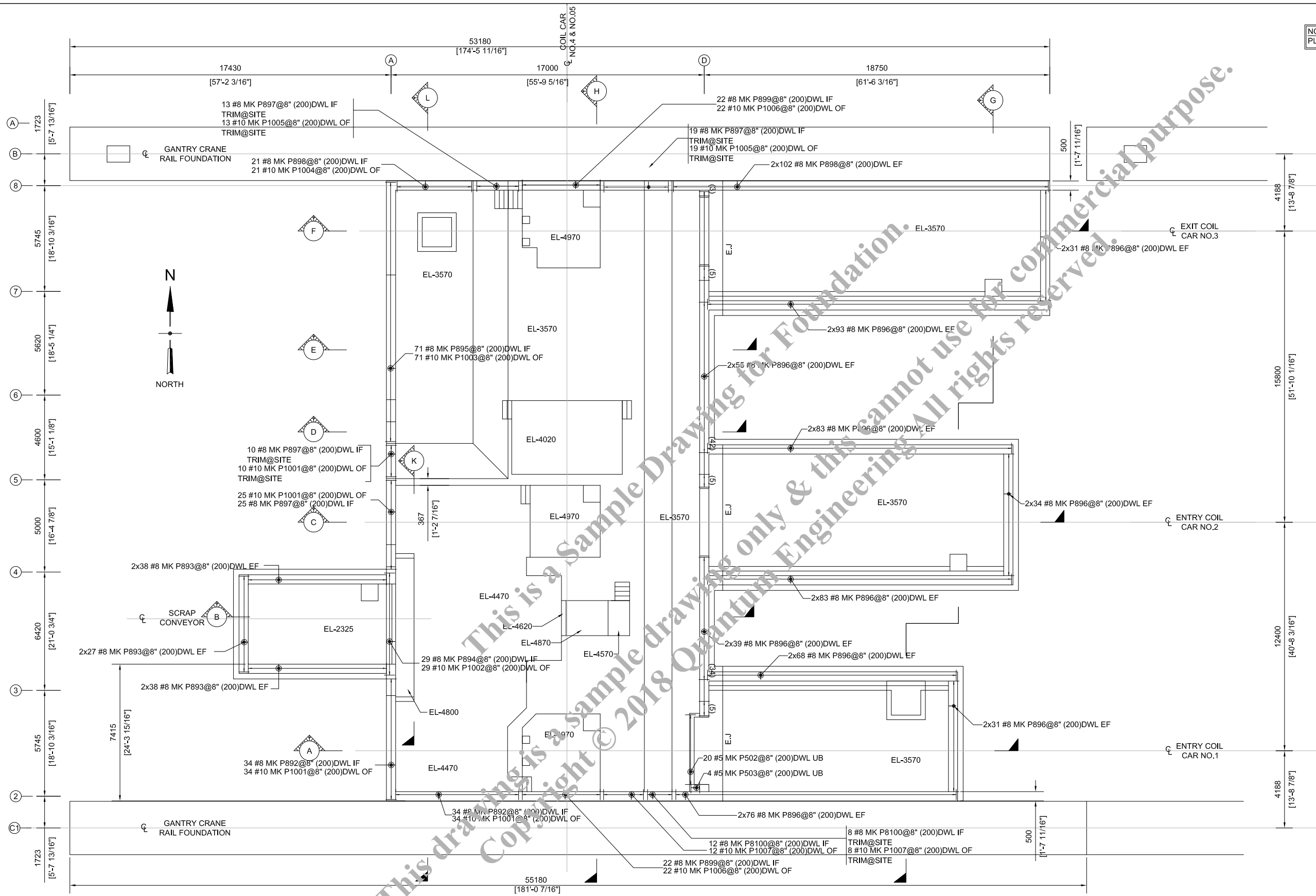


EQUIPMENT FOUNDATION - SIDE EDGE BAR DETAILS

SCALE: 1/8" = 1'-0"
REF: 60132700-6105

LAP TABLE			
TOP		OTHER	
#3	2'-4"	#3	1'-10"
#4	3'-1"	#4	2'-5"
#5	3'-11"	#5	3'-0"
#6	4'-8"	#6	3'-7"
#7	6'-9"	#7	5'-3"
#8	7'-9"	#8	6'-0"
#9	8'-9"	#9	6'-9"
#10	9'-10"	#10	7'-7"
#11	10'-11"	#11	8'-5"

NOTE:-
PLEASE REFER RF-10 FOR THE BAR SCHEDULE



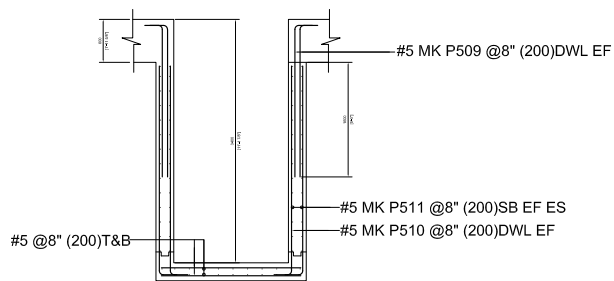
EQUIPMENT FOUNDATION - DWEL DETAILS

SCALE: 1/8" = 1'-0"
REF: 60132700-6105

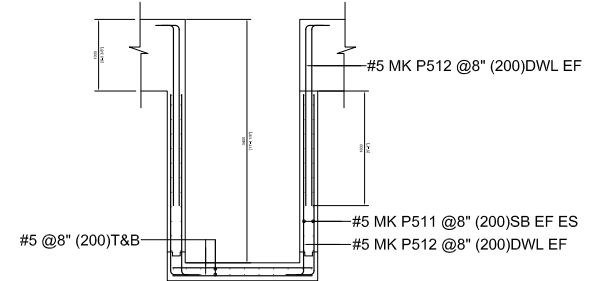
LAP TABLE			
TOP		OTHER	
#3	2'-4"	#3	1'-10"
#4	3'-1"	#4	2'-5"
#5	3'-11"	#5	3'-0"
#6	4'-8"	#6	3'-7"
#7	6'-9"	#7	5'-3"
#8	7'-9"	#8	6'-0"
#9	8'-9"	#9	6'-9"
#10	9'-10"	#10	7'-7"
#11	10'-11"	#11	8'-5"

This is a Sample Drawing for Foundation. Copyright © 2018 Quantum Engineering. All rights reserved. This drawing is a sample drawing only & this cannot use for commercial purpose.

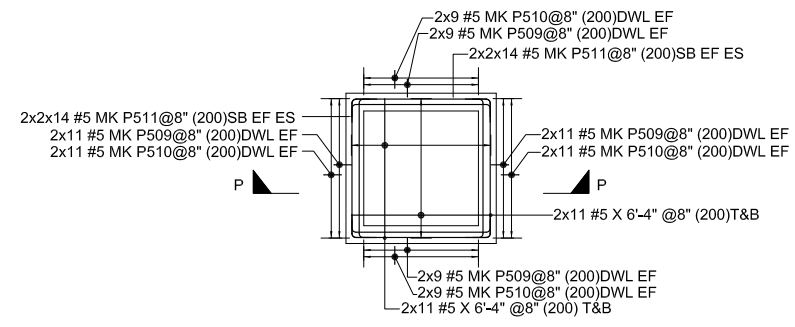
NOTE:-
PLEASE REFER RF-10 FOR THE BAR SCHEDULE



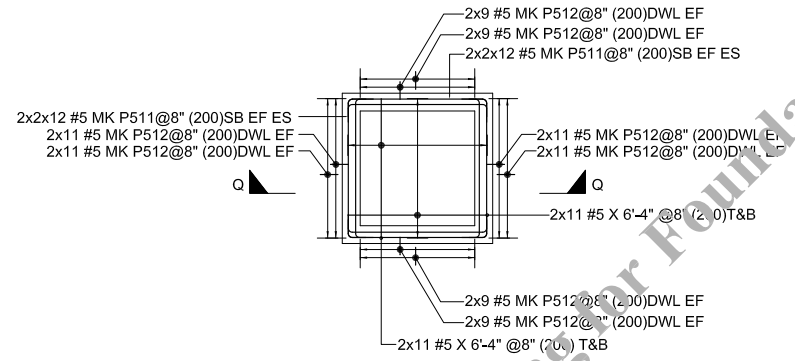
SECTION P - P



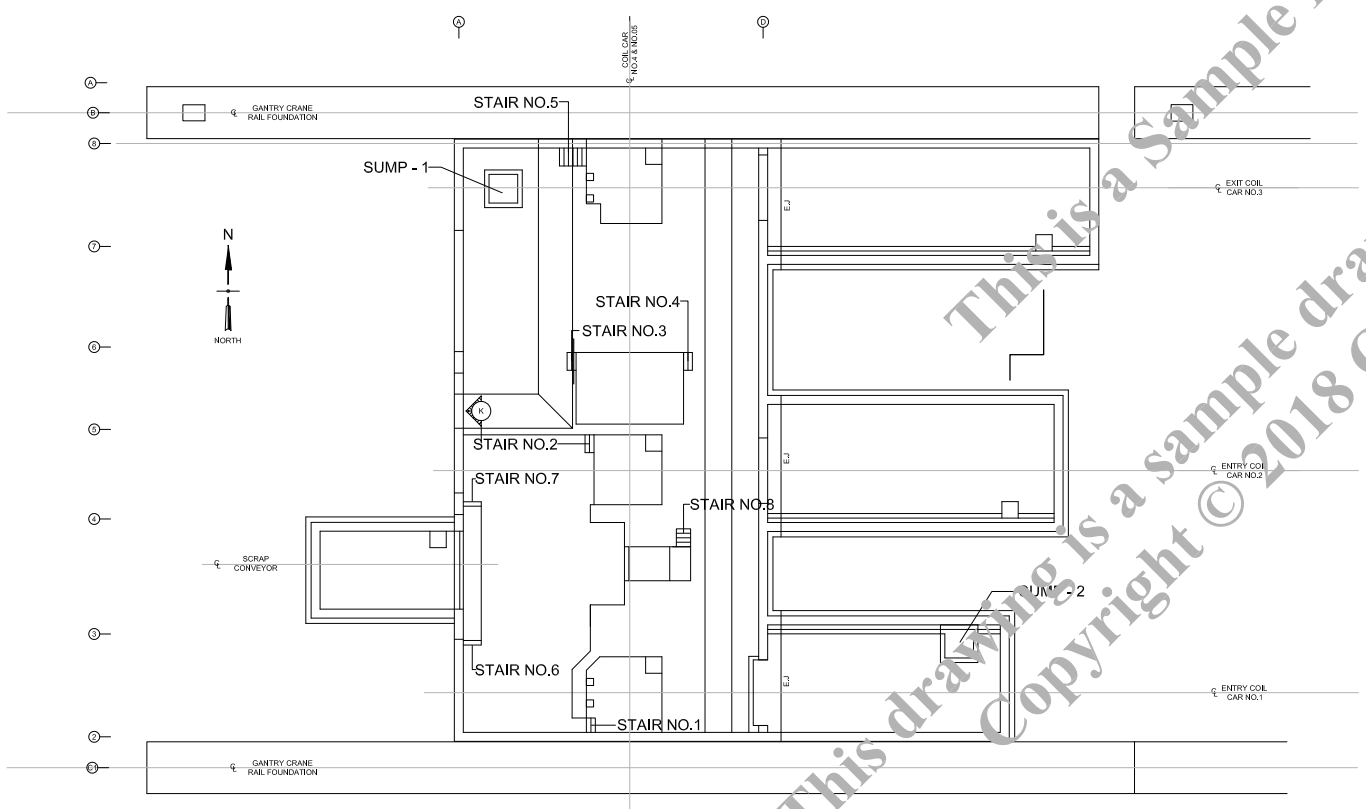
SECTION Q - Q



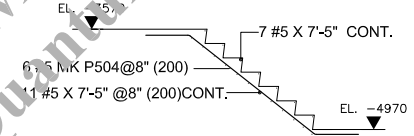
SUMP - 1
SCALE: 1/4" = 1'-0"
REF: 60132700-6113



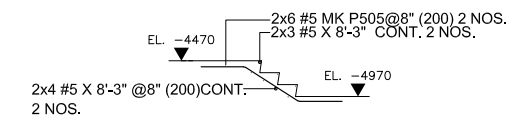
SUMP - 2
SCALE: 1/4" = 1'-0"
REF: 60132700-6113



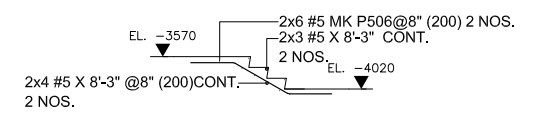
EQUIPMENT FOUNDATION - KEY PLAN (STAIRS & SUMP PIT)
SCALE: 1/16" = 1'-0"



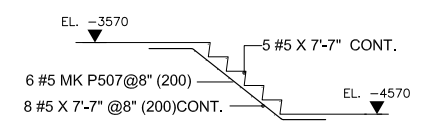
STAIR - 05
SCALE: 1/4" = 1'-0"
REF: 60132700-6114



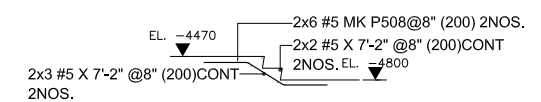
STAIR - 01 & 02
SCALE: 1/4" = 1'-0"
REF: 60132700-6114
2 NOS.



STAIR - 03 & 04
SCALE: 1/4" = 1'-0"
REF: 60132700-6114
2 NOS.

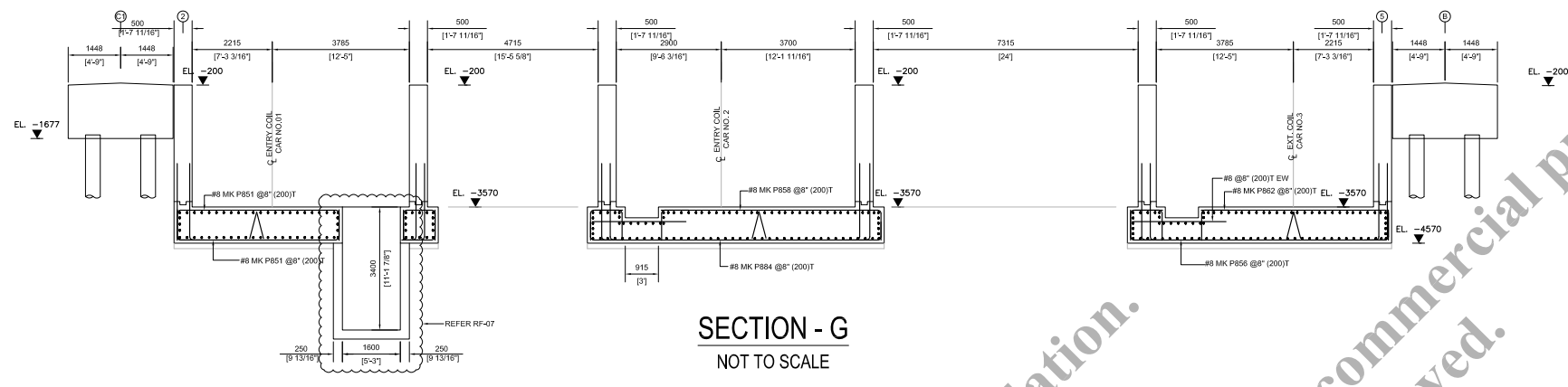


STAIR - 06
SCALE: 1/4" = 1'-0"
REF: 60132700-6114

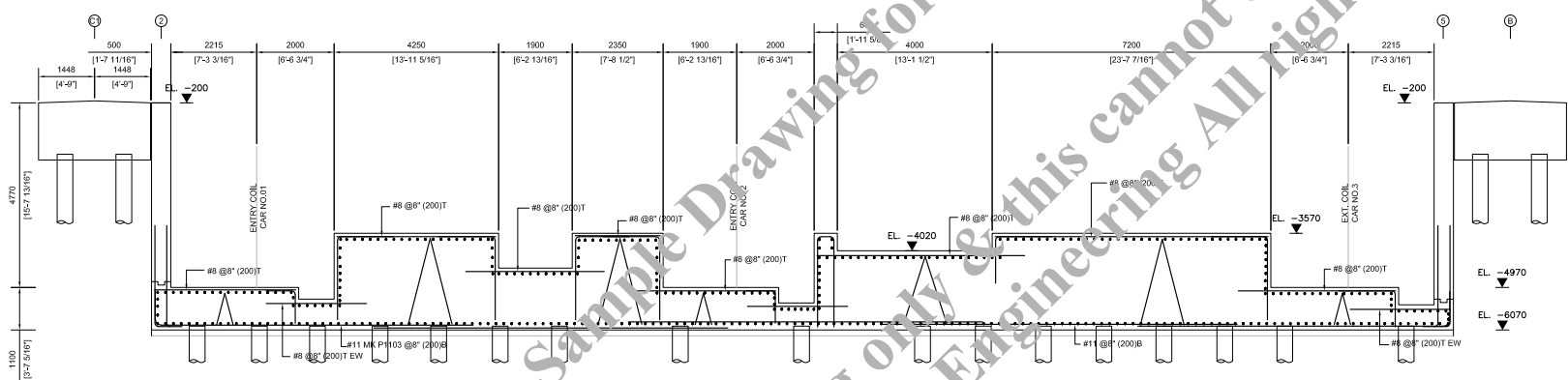


STAIR - 06 & 07
SCALE: 1/4" = 1'-0"
REF: 60132700-6114

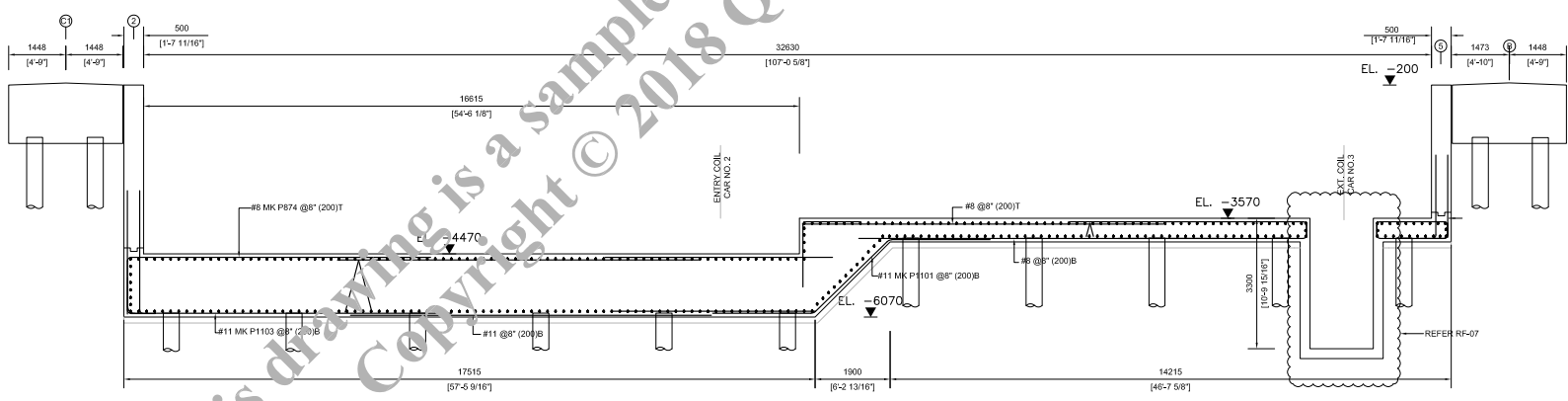
This is a Sample Drawing only & this cannot use for commercial purpose.
Copyright © 2018 Quantum Engineering All rights reserved.



SECTION - G
NOT TO SCALE



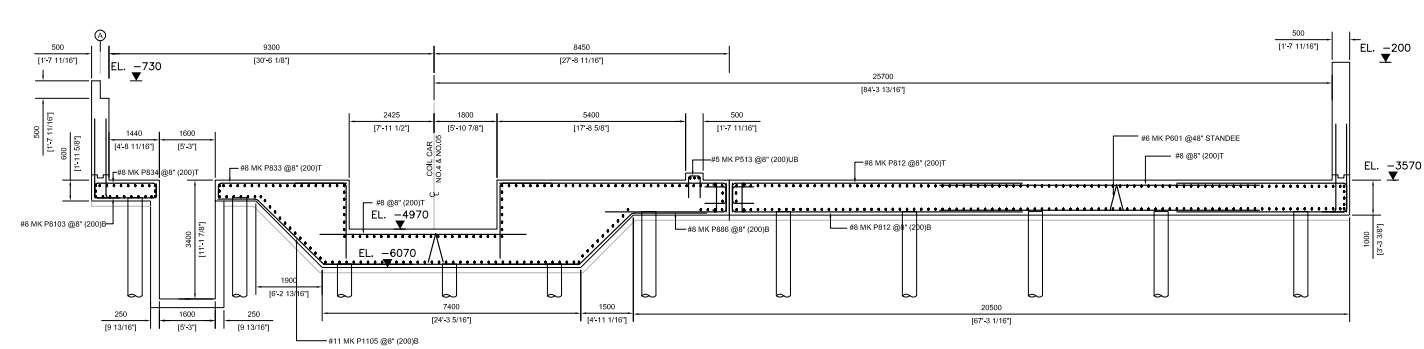
SECTION - H
NOT TO SCALE



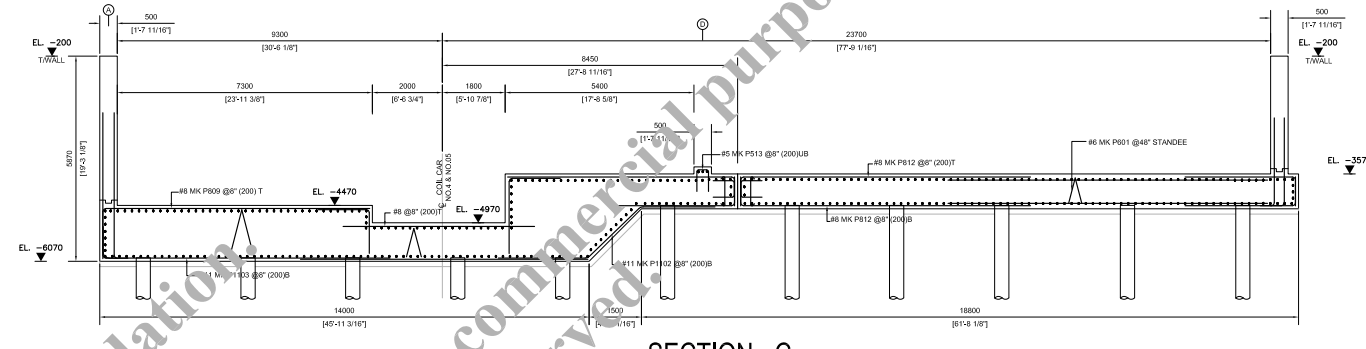
SECTION - L
NOT TO SCALE

This is a Sample Drawing for Foundation. This cannot use for commercial purpose. Copyright © 2018 Quantum Engineering All Rights reserved.

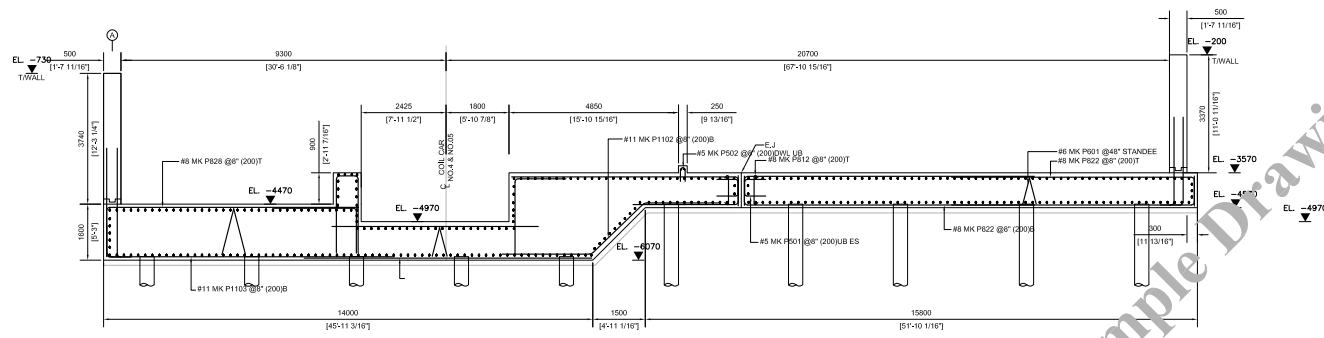
Note - This drawing is a sample drawing only & this cannot use for commercial purpose.



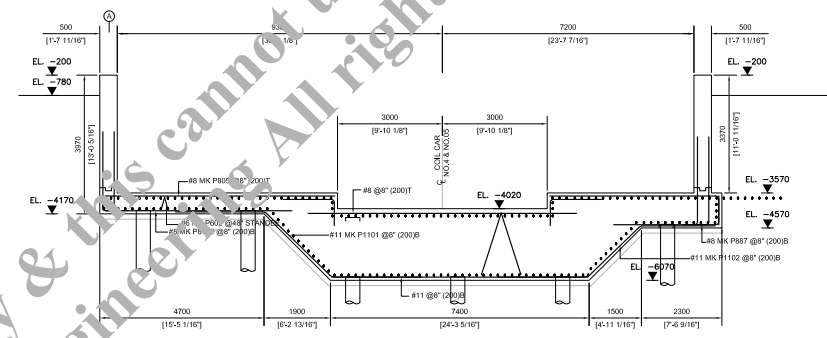
SECTION - F
NOT TO SCALE



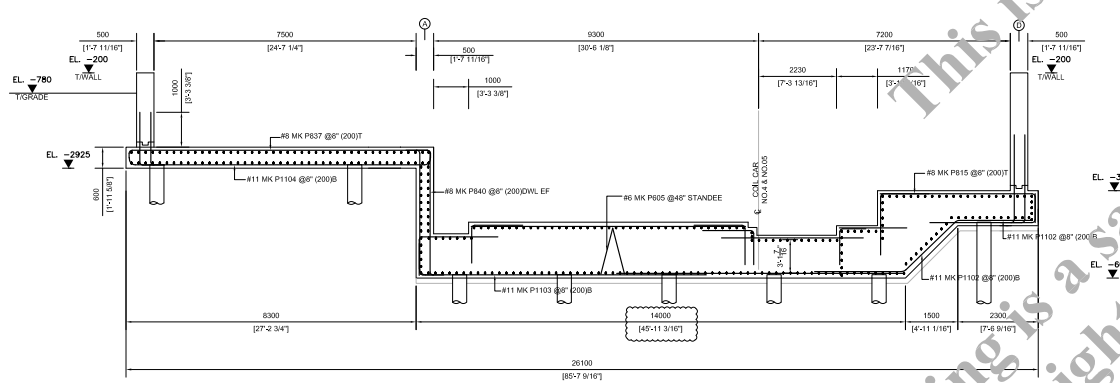
SECTION - C
NOT TO SCALE



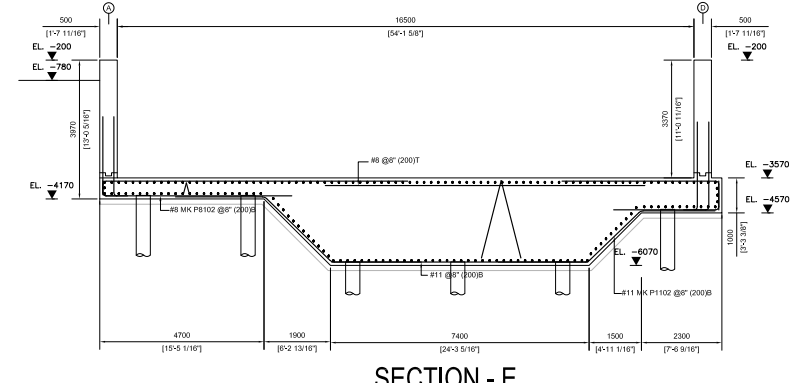
SECTION - A
NOT TO SCALE



SECTION - D
NOT TO SCALE



SECTION - B
NOT TO SCALE



SECTION - E
NOT TO SCALE

This is a Sample Drawing for Foundation & this cannot use for commercial purpose.
 Copyright © 2018 Quantum Engineering. All rights reserved.

Note - This drawing is a sample drawing only & this cannot use for commercial purpose.

Drawing Sheet : RF-01 BENDING DETAILS Table with columns: Bar Mark, Qty, Size, Total Length, Type, 'A', 'B', 'C', 'D', 'E', 'F', 'G', 'H', 'J', 'K', 'O', 'R'. Includes diagrams 03, 17, and 08.

Drawing Sheet : RF-03 BENDING DETAILS Table with columns: Bar Mark, Qty, Size, Total Length, Type, 'A', 'B', 'C', 'D', 'E', 'F', 'G', 'H', 'J', 'K', 'O', 'R'. Includes diagrams 03 and 17.

Drawing Sheet : RF-04 BENDING DETAILS Table with columns: Bar Mark, Qty, Size, Total Length, Type, 'B', 'C', 'D', 'E', 'F', 'G', 'H', 'J', 'K', 'O', 'R'. Includes diagrams 03 and 17.

Drawing Sheet : RF-07 BENDING DETAILS Table with columns: Bar Mark, Qty, Size, Total Length, Type, 'A', 'B', 'C', 'D', 'E', 'F', 'G', 'H', 'J', 'K', 'O', 'R'. Includes diagrams 03, 02, and 07.

Drawing Sheet : RF-02 BENDING DETAILS Table with columns: Bar Mark, Qty, Size, Total Length, Type, 'A', 'B', 'C', 'D', 'E', 'F', 'G', 'H', 'J', 'K', 'O', 'R'. Includes diagrams 03 and 25.

Drawing Sheet : RF-05 BENDING DETAILS Table with columns: Bar Mark, Qty, Size, Total Length, Type, 'A', 'B', 'C', 'D', 'E', 'F', 'G', 'H', 'J', 'K', 'O', 'R'. Includes diagrams 03, 17, and T12.

Drawing Sheet : RF-06 BENDING DETAILS Table with columns: Bar Mark, Qty, Size, Total Length, Type, 'A', 'B', 'C', 'D', 'E', 'F', 'G', 'H', 'J', 'K', 'O', 'R'. Includes diagrams 02 and 17.

Note - This drawing is a sample drawing only. It cannot be used for commercial purposes. Copyright © 2018 QED Engineering. All rights reserved.