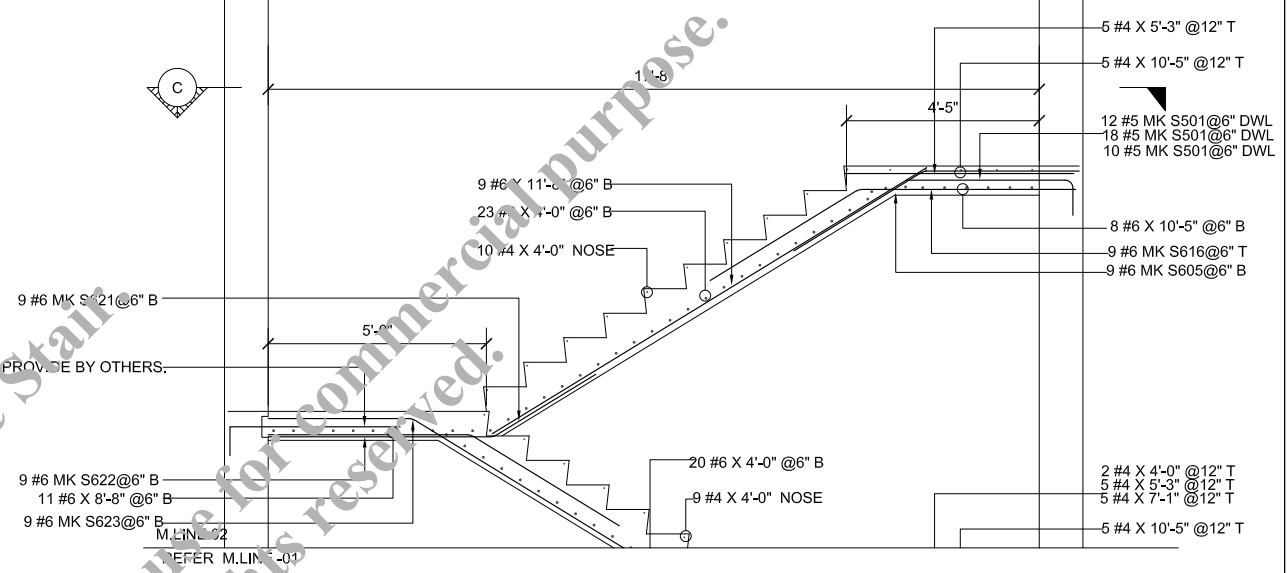
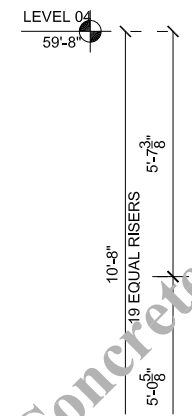


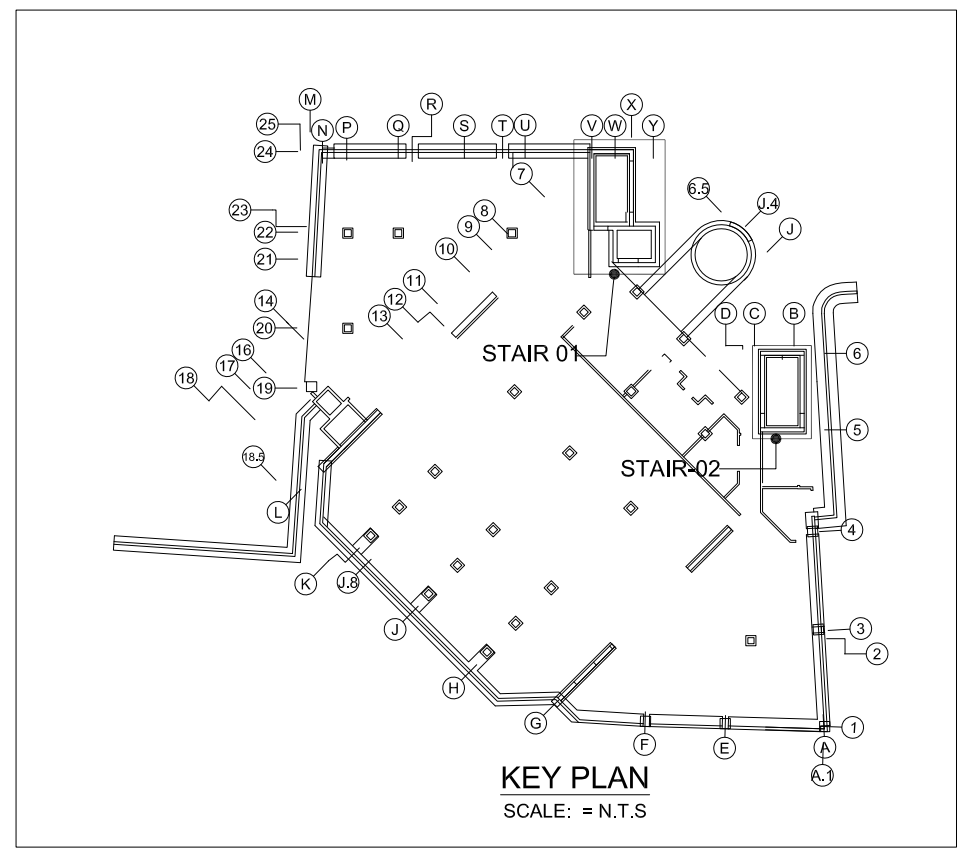
BUILDING SECTION STAIR 02

SCALE: 1/2" = 1'-0"
REFER S2.1
PART -01



BUILDING SECTION STAIR 02

SCALE: 1/2" = 1'-0"
REFER S2.1
PART -02



KEY PLAN
SCALE: = N.T.S

LAP SCHEDULE (5000 PSI)		
BAR	TOP	BOT
#3	1'-10"	1'-5"
#4	2'-5"	1'-10"
#5	3'-0"	2'-4"
#6	3'-7"	2'-9"
#7	3'-6"	4'-1"

NOTE:
REFER RST-02 FOR BAR LIST

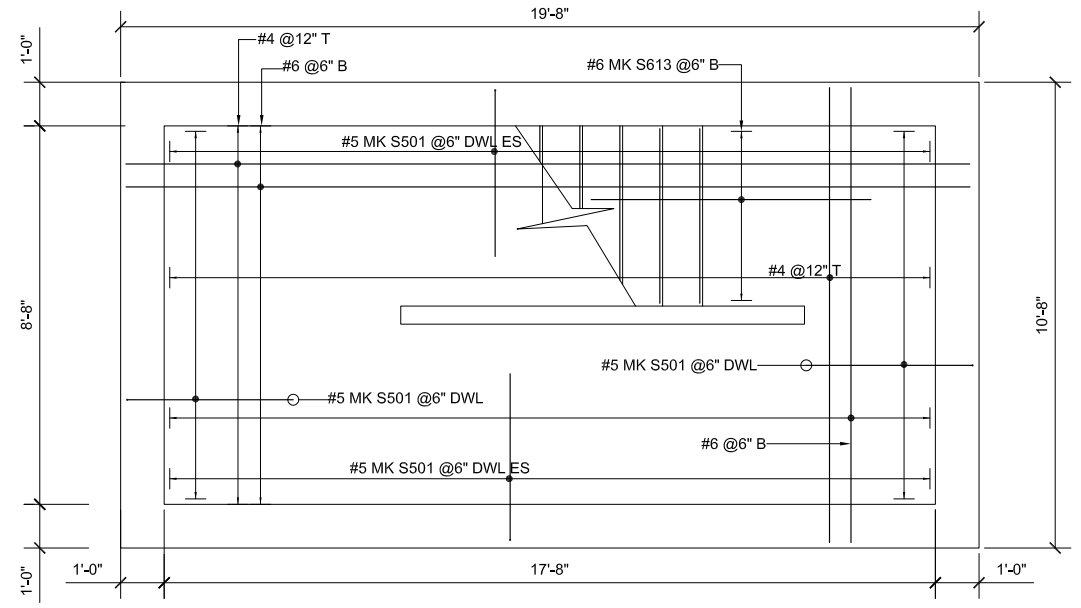
NOTE:
REFER RST-05 FOR TYPICAL STAIR DETAILS.

This is a Sample Drawing for Concrete Stair & this cannot use for commercial purpose. Copyright © 2018 Quantum Engineering All rights reserved.

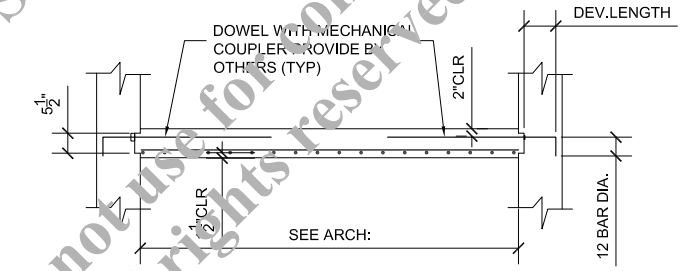
Drawing Sheet : RST-02

Bar Mark	Qty	Size	Total Length	Type	'A'	'B'	'C'	'D'	'E'	'F'	'G'	'H'	'J'	'K'	'O'	'R'
S501	270	#5	4'-8"	2	0'-10"											
S605	27	#6	8'-11 1/2"	3		4'-11 1/2"	3'-11 1/2"					2'-1"		3'-4 1/2"	8'-4 1/2"	
S606	27	#6	10'-3 1/2"	3		6'-3 1/2"	3'-11 1/2"					2'-1"		3'-4 1/2"	9'-8 1/2"	
S608	9	#6	9'-10 1/2"	3		5'-11 1/2"	3'-11 1/2"					2'-1 1/2"		3'-4 1/2"	9'-3 1/2"	
S609	9	#6	8'-0 1/2"	3		4'-6"	3'-6 1/2"					1'-10 1/2"		3'-0 1/2"	7'-6 1/2"	
S610	9	#6	8'-9 1/2"	3		6'-0 1/2"	2'-6"					1'-5 1/2"		2'-4"	8'-4 1/2"	
S611	9	#6	9'-6 1/2"	3		5'-6 1/2"	3'-11 1/2"					2'-1 1/2"		3'-4 1/2"	8'-11 1/2"	
S613	9	#6	7'-0"	3		3'-0"	4'-4"					2'-1"		3'-4 1/2"	6'-4 1/2"	
S616	18	#6	7'-0 1/2"	3		3'-6 1/2"	3'-5 1/2"					1'-10"		2'-11 1/2"	6'-6 1/2"	
S617	9	#6	12'-4"	3		4'-2 1/2"	8'-1 1/2"					4'-3 1/2"		6'-10 1/2"	11'-1 1/2"	
S619	9	#6	5'-3 1/2"	3		1'-1"	3'-9 1/2"					2'-0"		3'-3"	4'-9"	
S621	18	#6	7'-10 1/2"	3		5'-2"	2'-8 1/2"					1'-5 1/2"		2'-4"	7'-6"	
S622	18	#6	8'-7 1/2"	3		4'-7 1/2"	3'-11 1/2"					2'-1"		3'-4 1/2"	8'-0 1/2"	
S623	27	#6	13'-8 1/2"	3		3'-3 1/2"	10'-4 1/2"					5'-5"		8'-10 1/2"	12'-2"	
S624	9	#6	7'-10 1/2"	3		5'-1 1/2"	2'-8 1/2"					1'-5 1/2"		2'-4"	7'-5 1/2"	
S625	9	#6	8'-8"	3		4'-8 1/2"	3'-11 1/2"					2'-1"		3'-4 1/2"	8'-1"	

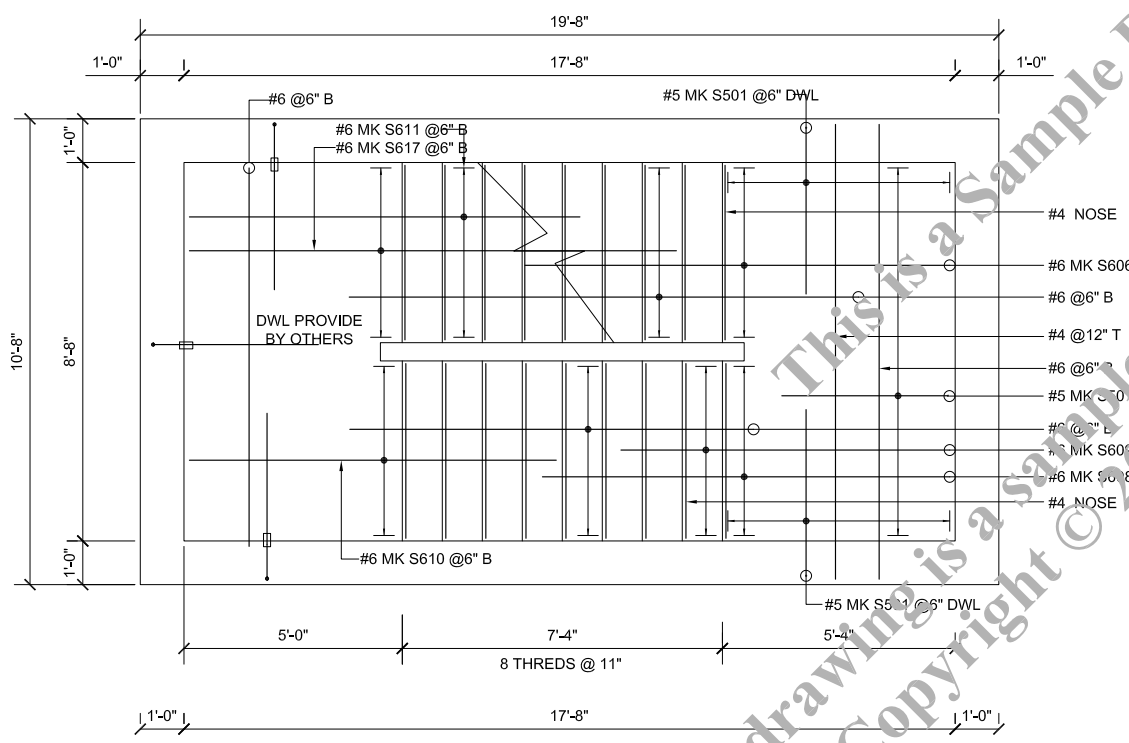
Bar list produced by RebarCAD 2018



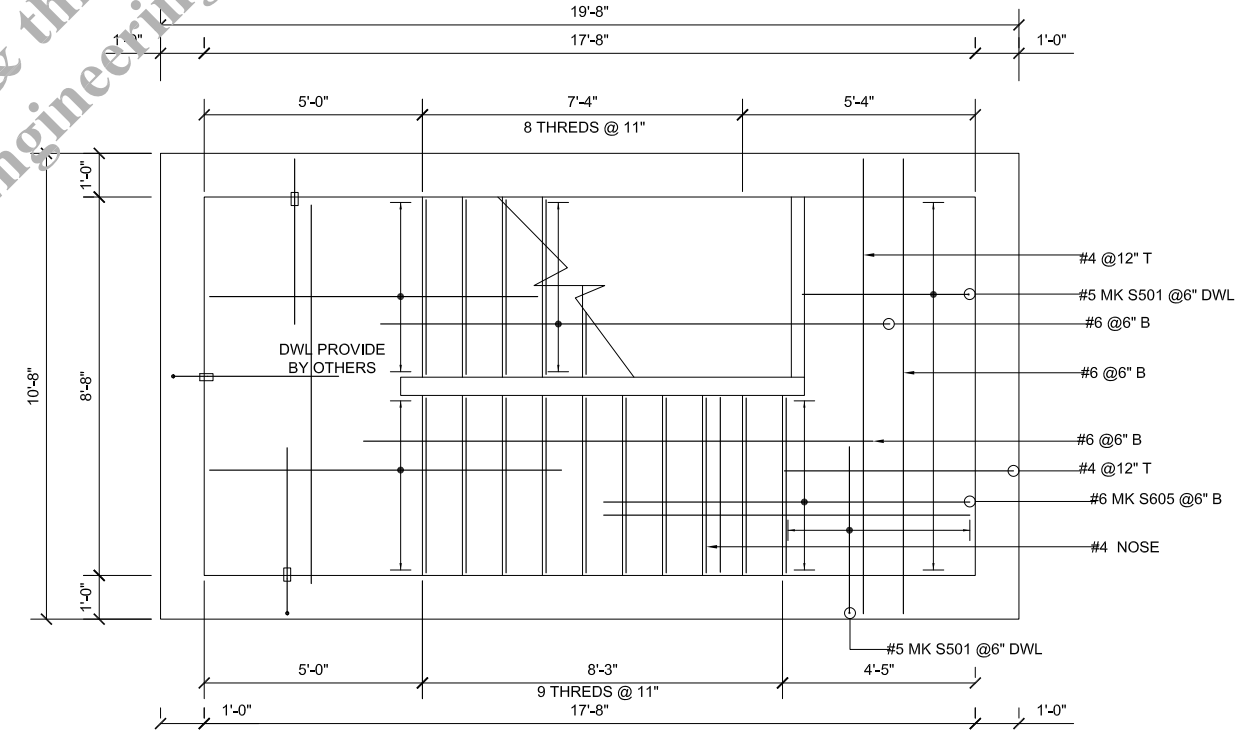
SECTION A-A
SCALE: 1/2" = 1'-0"
REFER S2.1



TYPICAL INTERMEDIATE LANDING SECTION
SCALE: 1/2" = 1'-0"
REFER S2.1



SECTION B-B
SCALE: 1/2" = 1'-0"
REFER S2.1



SECTION C-C
SCALE: 1/2" = 1'-0"
REFER S2.1

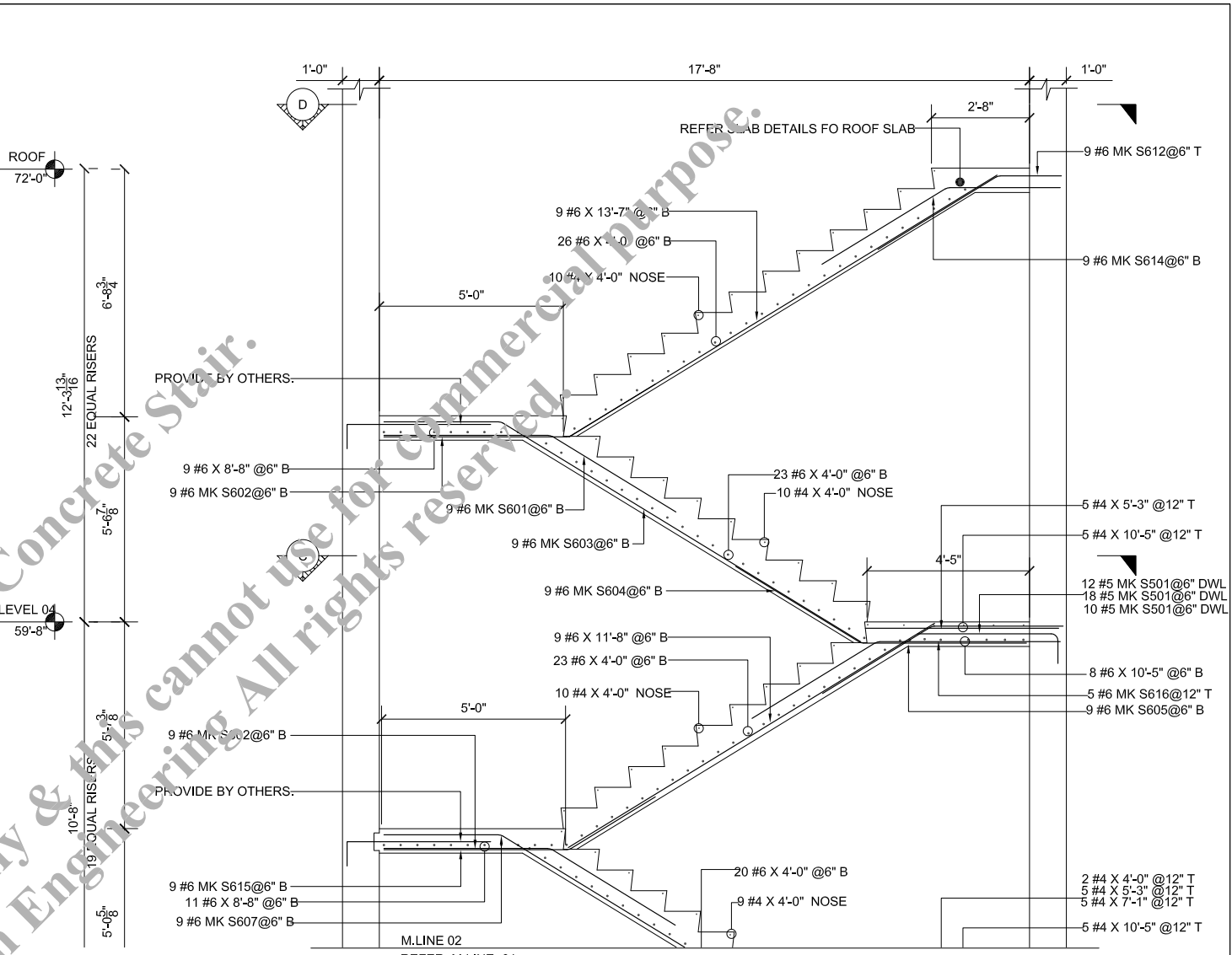
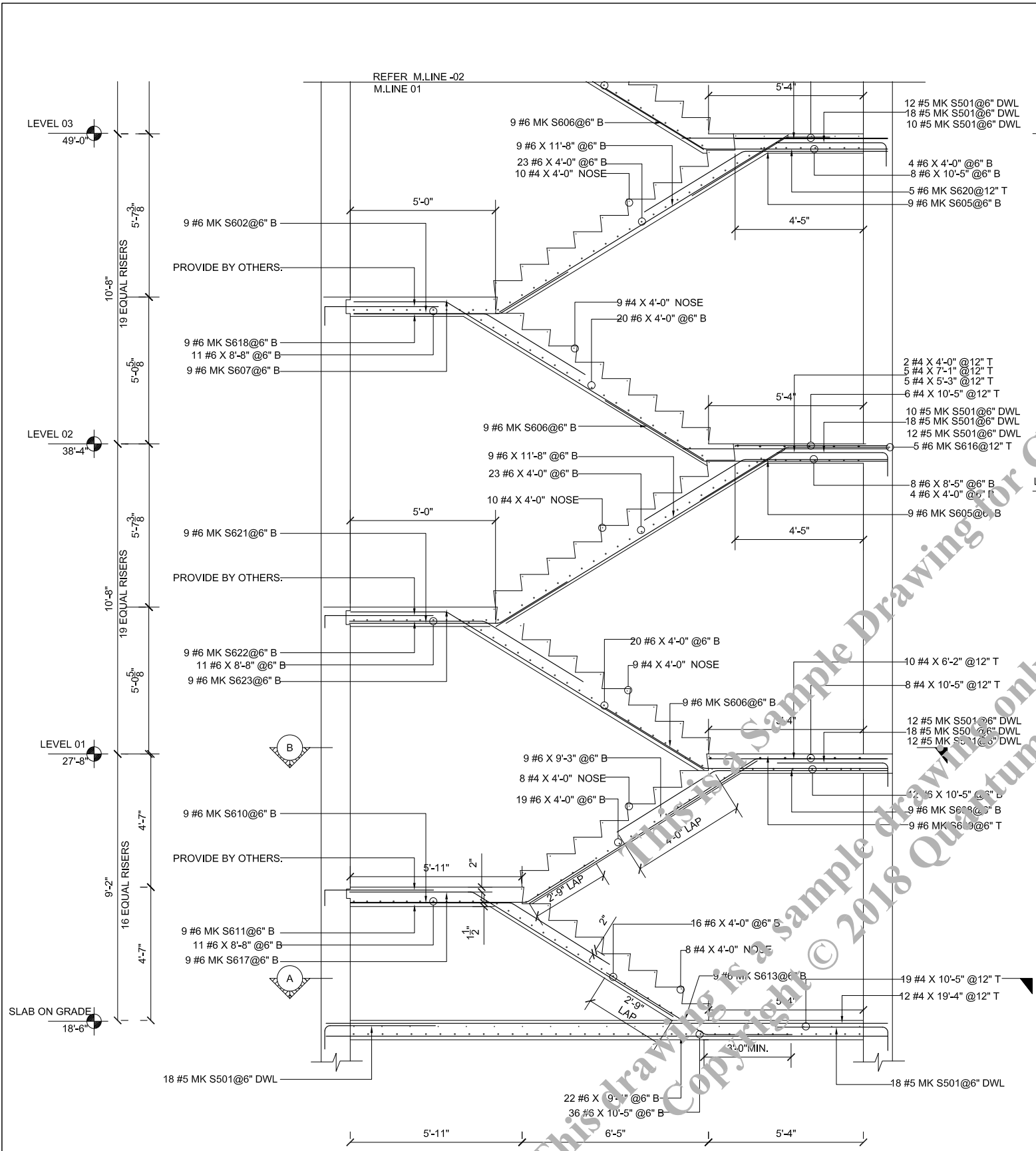
LAP SCHEDULE (5000 PSI)

BAR	TOP	BOT
#3	1'-10"	1'-5"
#4	2'-5"	1'-10"
#5	3'-0"	2'-4"
#6	3'-7"	2'-9"
#7	3'-6"	4'-1"

NOTE:
REFER RST-01 FOR KEY PLAN

NOTE:
REFER RST-05 FOR TYPICAL STAIR DETAILS.

This is a Sample Drawing for Concrete Stair. This drawing is a sample drawing only & this cannot use for commercial purpose. Copyright © 2018 Quantum Engineering All rights reserved.



BUILDING SECTION STAIR 01
 SCALE: 1/2" = 1'-0"
 REFER S2.1
 PART -02

Drawing Sheet : RST-03

		BENDING DETAILS														
Bar Mark	Qty	Size	Total Length	Type	'A'	'B'	'C'	'D'	'E'	'F'	'G'	'H'	'J'	'K'	'O'	'R'
S501	198	#5	4'-8"	2	0'-10"	3'-10"							1'-5 1/2"	2'-4"	7'-4 1/2"	
S602	27	#6	7'-9 1/2"	3		5'-0 1/2"	2'-8 1/2"					2'-1"	3'-4 1/2"	7'-11 1/2"		
S618	9	#6	8'-6 1/2"	3		4'-6 1/2"	3'-11 1/2"									
S607	18	#6	13'-6 1/2"	3		3'-2 1/2"	10'-4 1/2"					5'-5"	8'-10 1/2"	12'-0 1/2"		
S605	27	#6	8'-11 1/2"	3		4'-11 1/2"	3'-11 1/2"					2'-1"	3'-4 1/2"	8'-4 1/2"		
S606	27	#6	10'-3 1/2"	3		6'-3 1/2"	3'-11 1/2"					2'-1"	3'-4 1/2"	9'-8 1/2"		
S620	5	#6	5'-3 1/2"	3		1'-6"	3'-9 1/2"					2'-0 1/2"	3'-3"	4'-9"		
S616	10	#6	7'-0 1/2"	3		3'-6 1/2"	3'-5 1/2"					1'-10"	2'-11 1/2"	6'-6 1/2"		
S613	9	#6	7'-0"	3		3'-0"	4'-0"					2'-1 1/2"	3'-4 1/2"	6'-4 1/2"		
S615	9	#6	8'-6"	3		4'-6 1/2"	3'-11 1/2"					2'-1"	3'-4 1/2"	7'-11"		
S617	9	#6	12'-4"	3		4'-2 1/2"	8'-1 1/2"					4'-3 1/2"	6'-10 1/2"	11'-1 1/2"		
S610	9	#6	8'-9 1/2"	3		6'-0 1/2"	2'-9"					1'-5 1/2"	2'-4"	8'-4 1/2"		
S609	9	#6	8'-0 1/2"	3		4'-6"	3'-6 1/2"					1'-10 1/2"	3'-0 1/2"	7'-6 1/2"		
S608	9	#6	9'-10 1/2"	3		5'-11 1/2"	3'-11 1/2"					2'-1 1/2"	3'-4 1/2"	9'-3 1/2"		
S603	9	#6	14'-7 1/2"	3		3'-2 1/2"	11'-5 1/2"					5'-11 1/2"	9'-9 1/2"	12'-11 1/2"		
S611	9	#6	9'-6 1/2"	3		5'-6 1/2"	3'-11 1/2"					2'-1 1/2"	3'-4 1/2"	8'-11 1/2"		
S604	9	#6	8'-5 1/2"	3		4'-6"	3'-11 1/2"					2'-1"	3'-4 1/2"	7'-10 1/2"		
S601	9	#6	8'-6"	3		4'-6 1/2"	3'-11 1/2"					2'-1"	3'-4 1/2"	7'-11"		
S614	9	#6	7'-0 1/2"	3		3'-0 1/2"	3'-11 1/2"					2'-1"	3'-4 1/2"	6'-5 1/2"		
S612	9	#6	5'-6 1/2"	3		1'-8 1/2"	3'-9 1/2"					2'-0"	3'-3"	4'-11 1/2"		
S621	9	#6	7'-10 1/2"	3		5'-2"	2'-8 1/2"					1'-5 1/2"	2'-4"	7'-6"		
S622	9	#6	8'-7 1/2"	3		4'-7 1/2"	3'-11 1/2"					2'-1"	3'-4 1/2"	8'-0 1/2"		
S623	9	#6	13'-8 1/2"	3		3'-3 1/2"	10'-4 1/2"							8'-10 1/2"	12'-2"	

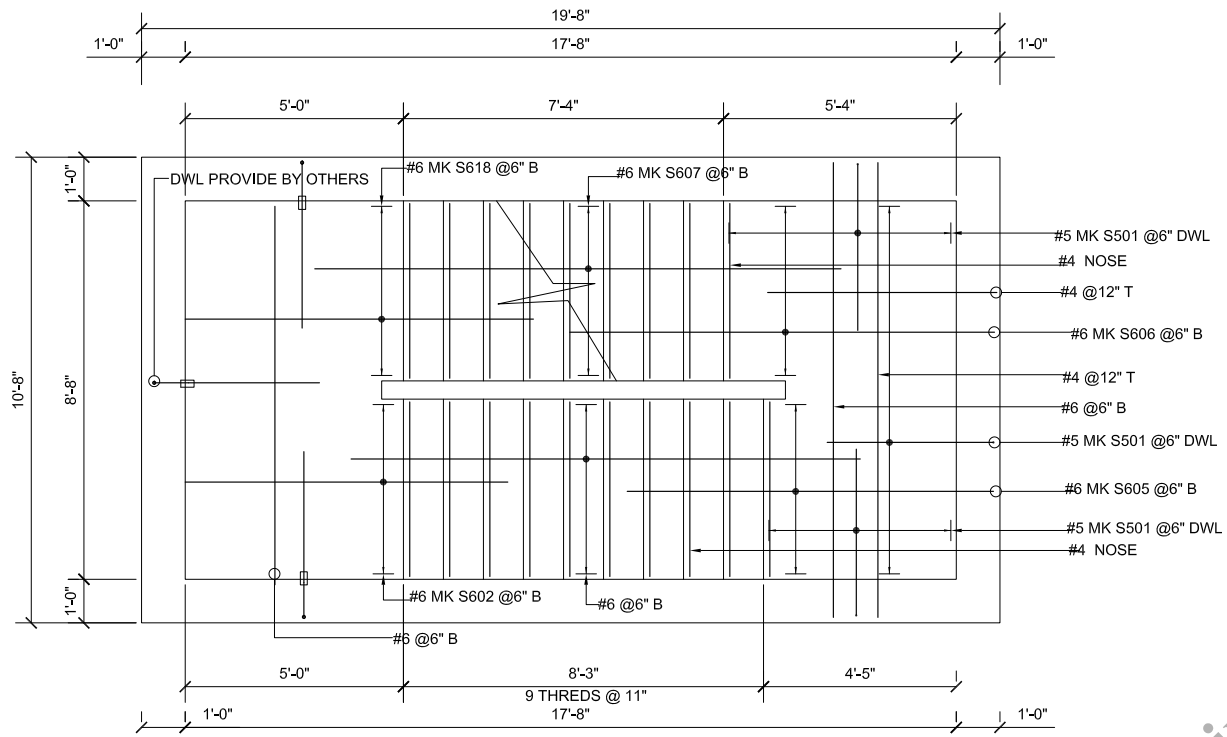
Bar list produced by RebarCAD 2018

LAP SCHEDULE (5000 PSI)

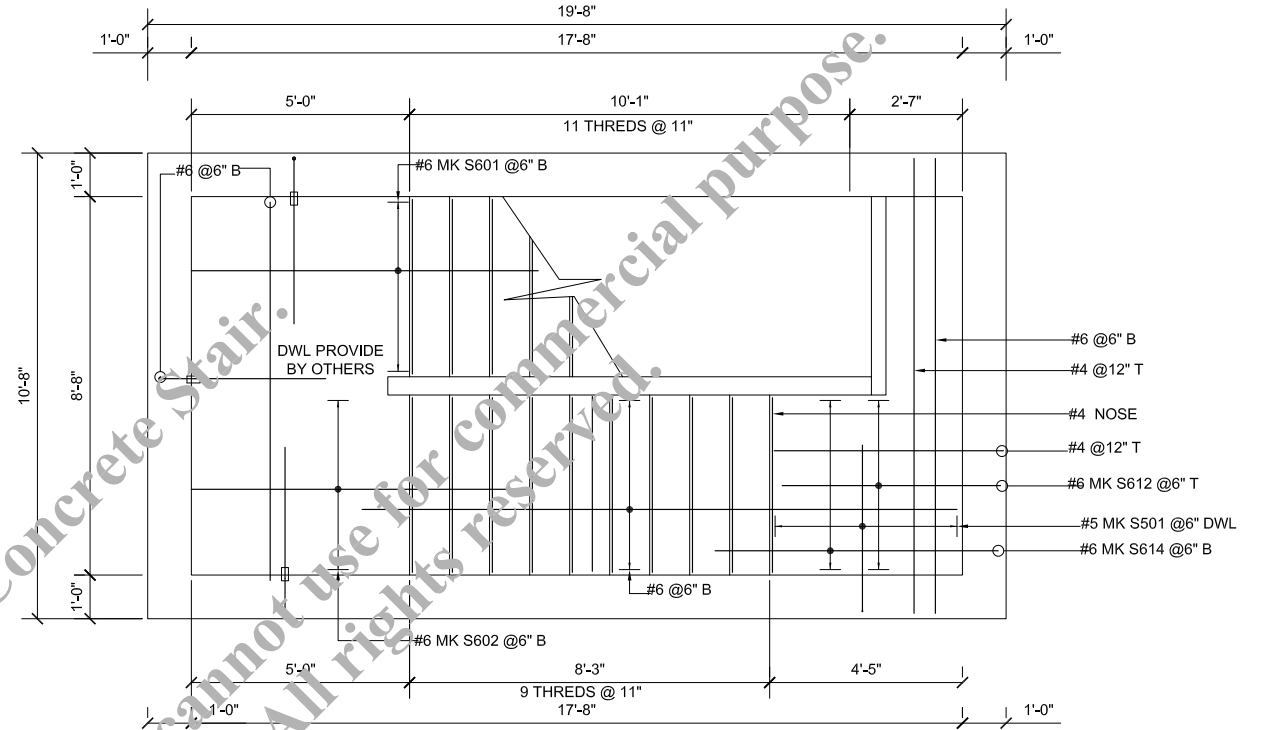
BAR	TOP	BOT
#3	1'-10"	1'-5"
#4	2'-5"	1'-10"
#5	3'-0"	2'-4"
#6	3'-7"	2'-9"
#7	3'-6"	4'-1"

NOTE:
REFER RST-01 FOR KEY PLAN

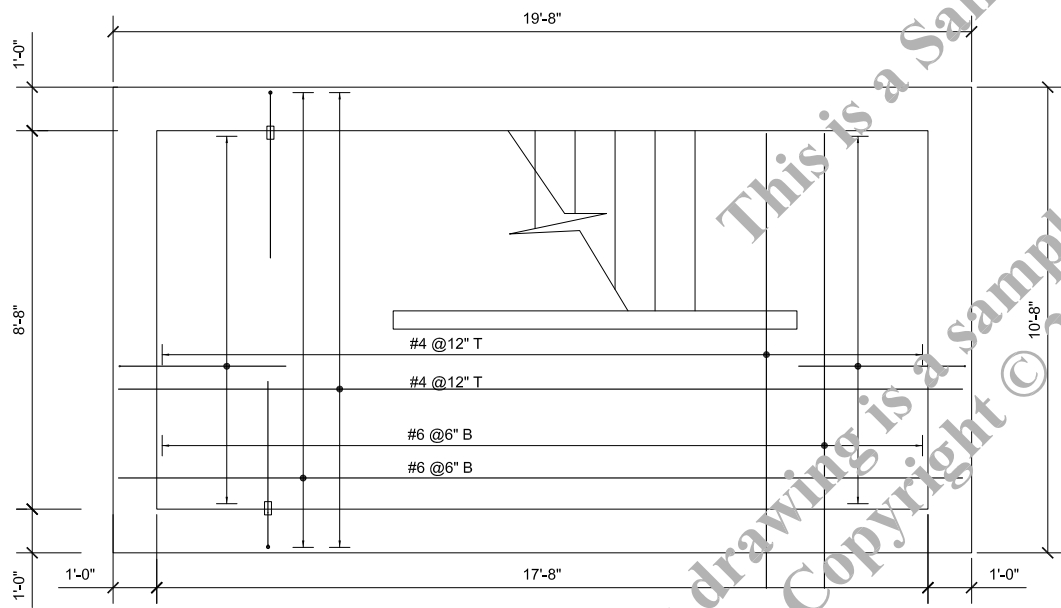
NOTE:
REFER RST-05 FOR TYPICAL STAIR DETAILS.



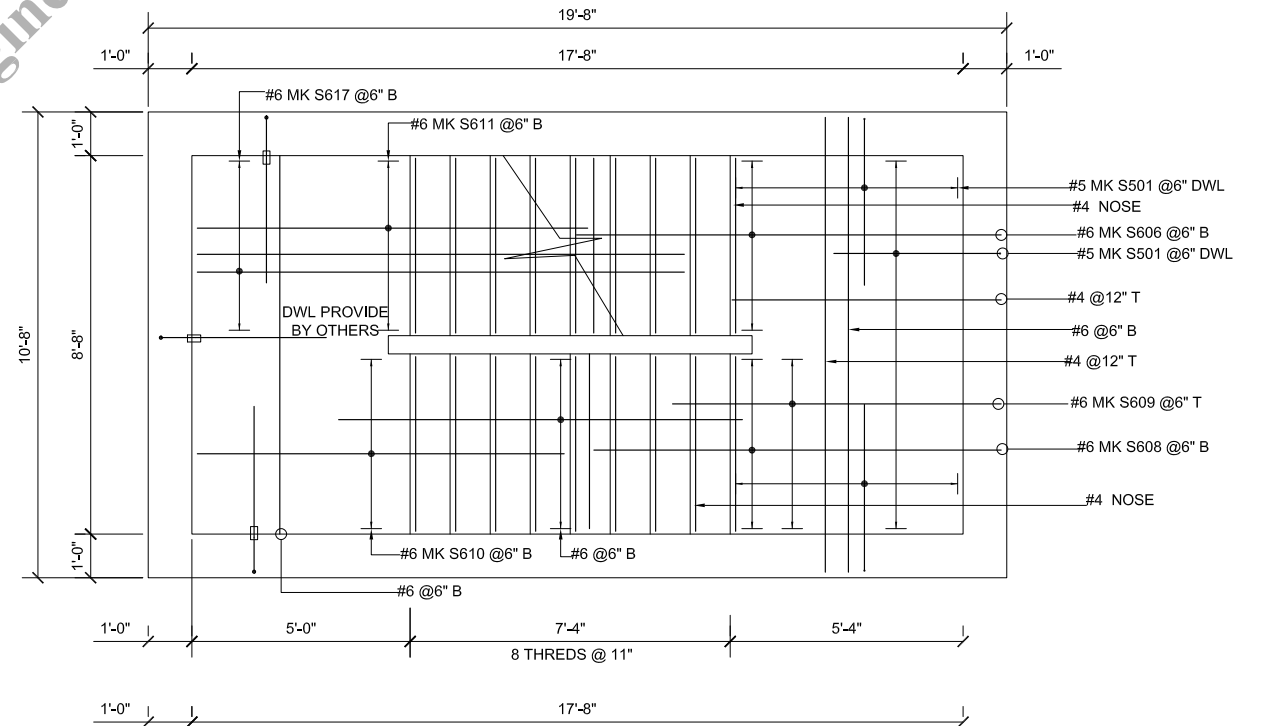
SECTION C-C
SCALE: 1/2" = 1'-0"
REFER S2.1



SECTION D-D
SCALE: 1/2" = 1'-0"
REFER S2.1



SECTION A-A
SCALE: 1/2" = 1'-0"
REFER S2.1



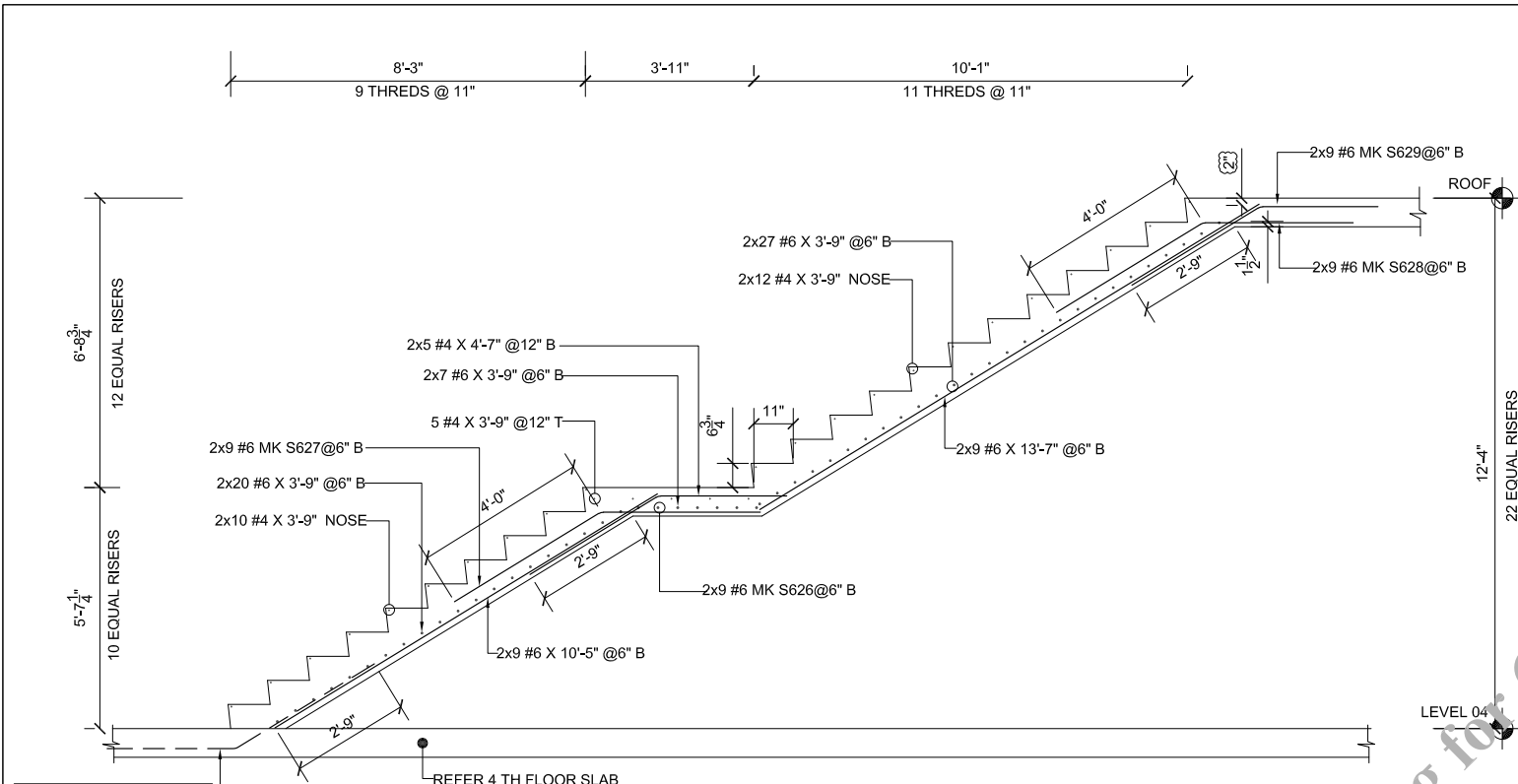
SECTION B-B
SCALE: 1/2" = 1'-0"
REFER S2.1

LAP SCHEDULE (5000 PSI)		
BAR	TOP	BOT
#3	1'-10"	1'-5"
#4	2'-5"	1'-10"
#5	3'-0"	2'-4"
#6	3'-7"	2'-9"
#7	3'-6"	4'-1"

NOTE
REFER RST-01 FOR KEY PLAN.

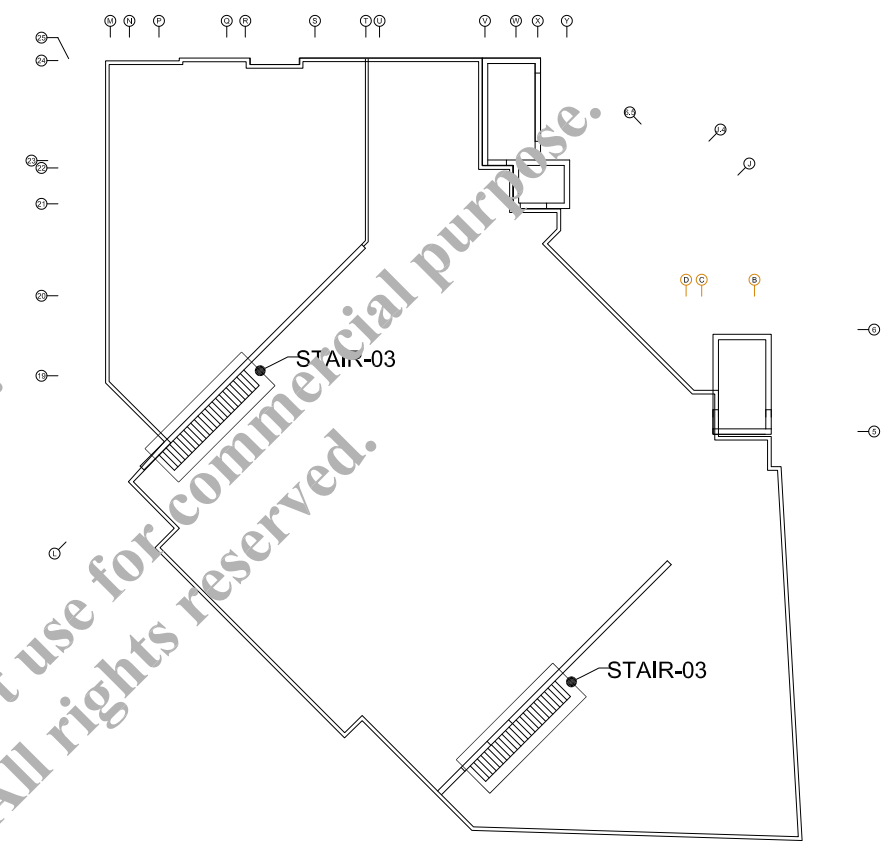
NOTE:
REFER RST-05 FOR TYPICAL STAIR DETAILS.

This is a Sample Drawing for Concrete Stair. This drawing is a sample drawing only & this cannot use for commercial purpose. Copyright © 2018 Quantum Engineering All rights reserved.



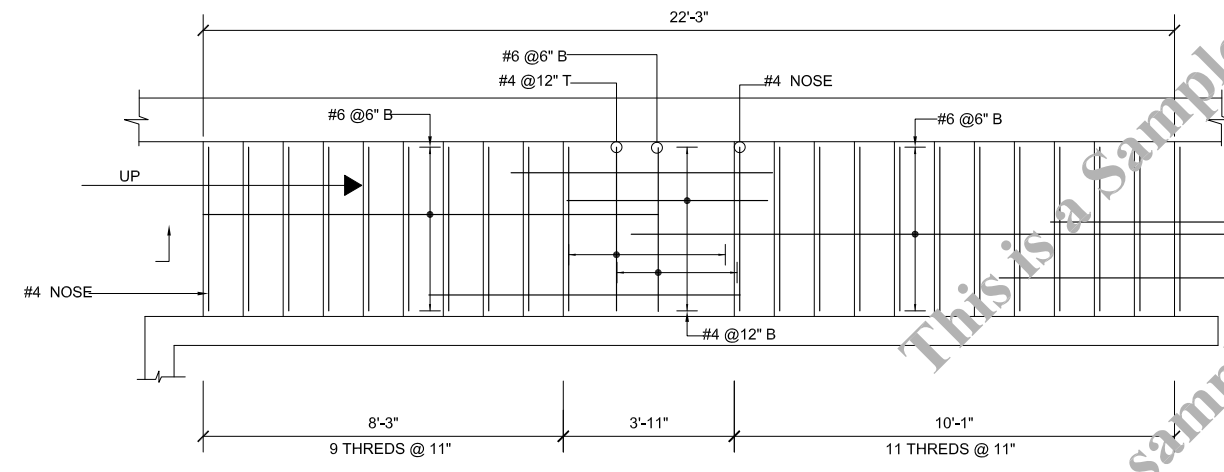
BUILDING SECTION STAIR 03

SCALE: 1/2" = 1'-0"
REFER S2.1
02 LOCATIONS



KEY PLAN

N.T.S
STARTING FROM LEVEL 4



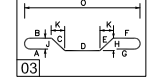
STAIR 03 PLAN VIEW

SCALE: 1/2" = 1'-0"
REFER S2.1

Drawing Sheet : RST-05

BENDING DETAILS																
Bar Mark	Qty	Size	Total Length	Type	'A'	'B'	'C'	'D'	'E'	'F'	'G'	'H'	'J'	'K'	'O'	'R'
S626	18	#6	6'-5 1/2"	3		3'-0"	3'-5 1/2"					1'-9 1/2"	2'-1 1/2"	5'-11 1/2"		
S627	18	#6	7'-8 1/2"	3		3'-8 1/2"	3'-11 1/2"					2'-1"	3'-4 1/2"	7'-1 1/2"		
S628	18	#6	6'-2 1/2"	3		2'-9"	3'-5 1/2"					1'-9 1/2"	2'-11 1/2"	5'-5 1/2"		
S629	18	#6	7'-5 1/2"	3		3'-6"	3'-11 1/2"					2'-1"	3'-4 1/2"	6'-10 1/2"		

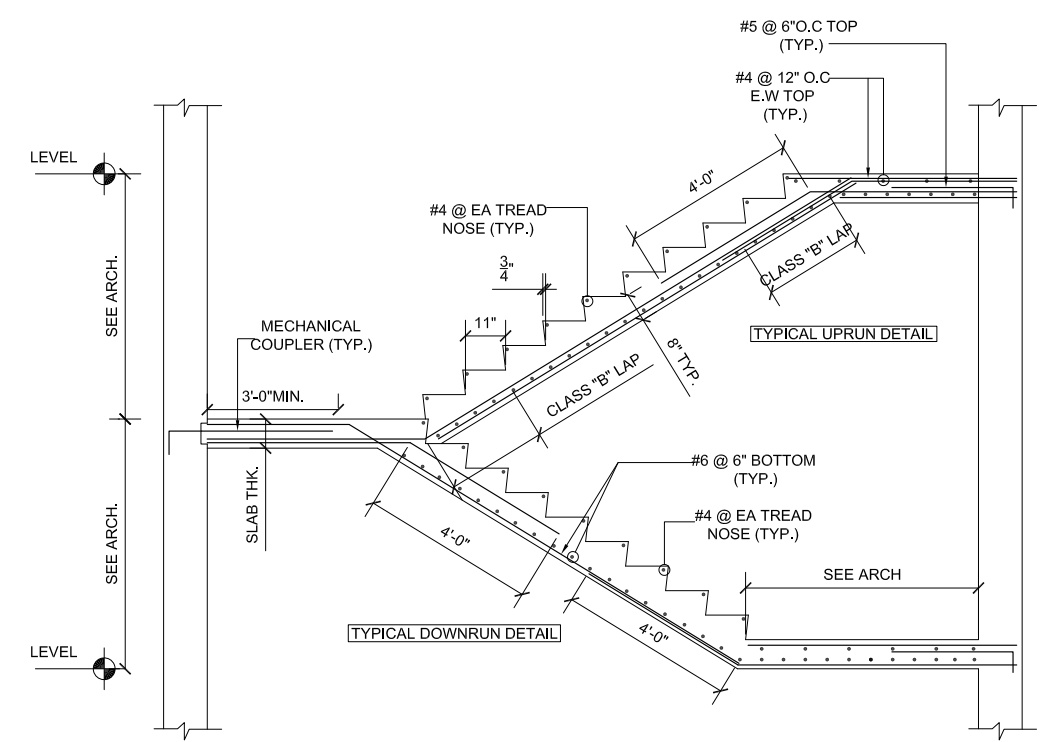
Bar list produced by RebarCAD 1018



LAP SCHEDULE (5000 PSI)

BAR	TOP	BOT
#3	1'-10"	1'-5"
#4	2'-5"	1'-10"
#5	3'-0"	2'-4"
#6	3'-7"	2'-9"
#7	3'-6"	4'-1"

NOTE
REFER RST-01 FOR KEY PLAN.



TYPICAL STAIR SECTION

SCALE: 1/2" = 1'-0"
REFER S2.1

This is a Sample Drawing for Concrete Stair. This cannot use for commercial purpose. Copyright © 2018 Quantum Engineering All rights reserved.